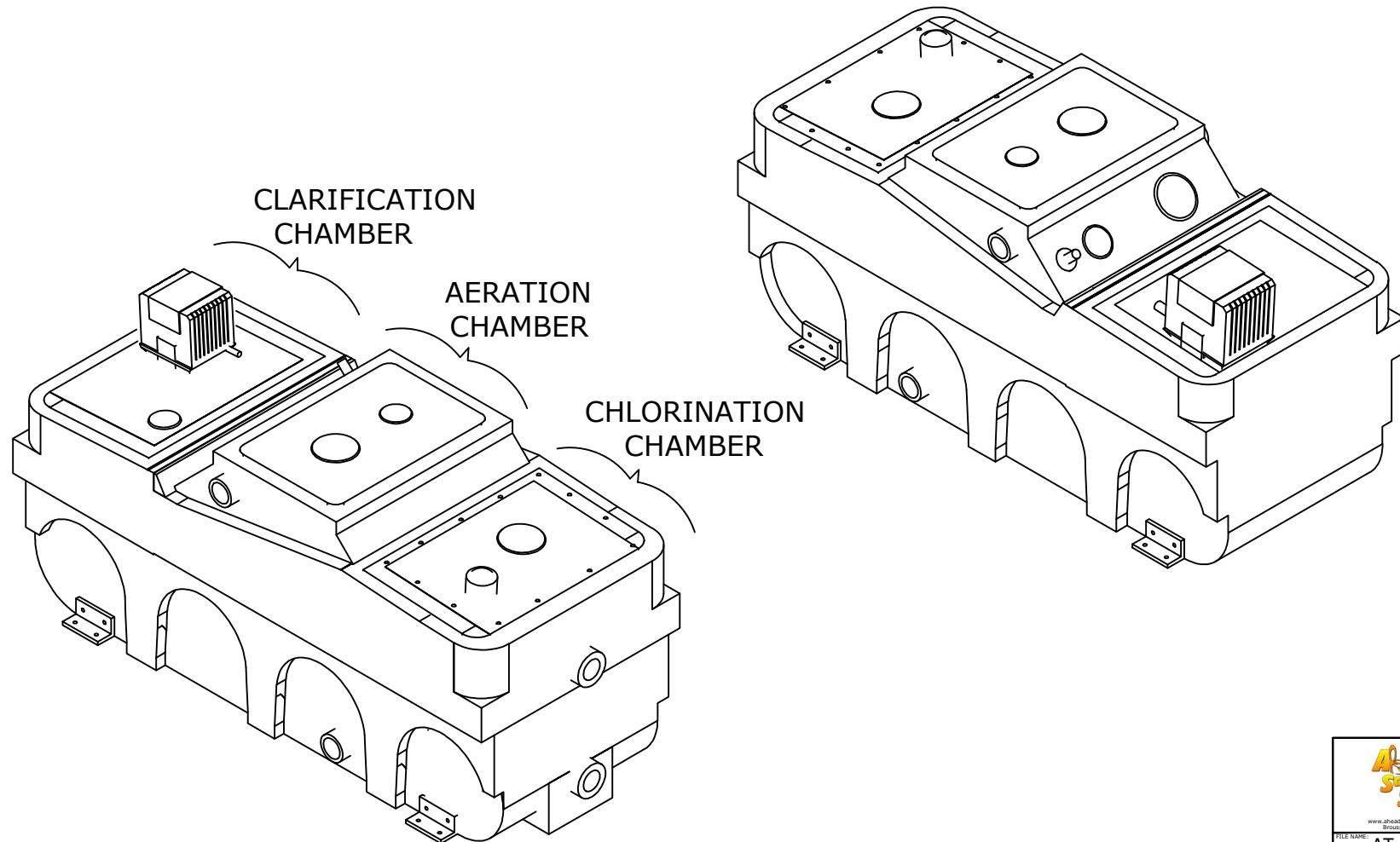


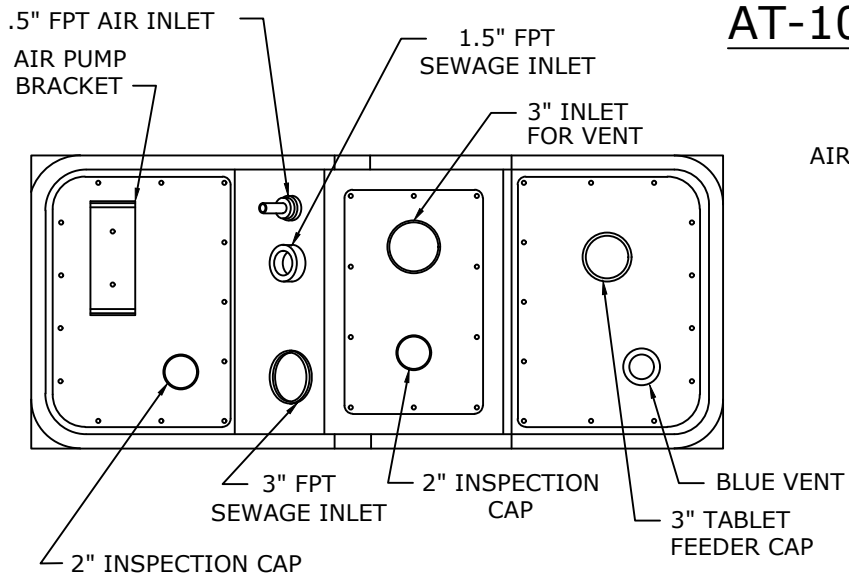
AT-10STP-D PERSPECTIVES  
(FOR VIEWING PURPOSES ONLY)



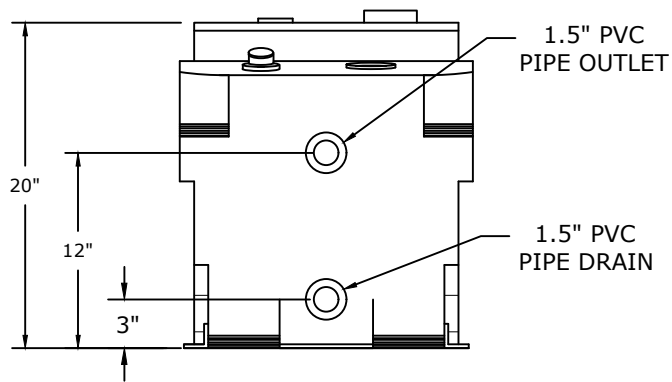
www.aeadtanks.com 337.330.4407  
Broussard, LA USA 70518

FILE NAME:	AT-10STP-D PERSPECTIVES
DRAFTED BY:	SIMENARD
DATE:	10/20/2023
SUBMITTED DATE:	10/20/2023
SCALE:	NTS
SHEET NO:	1 of 5

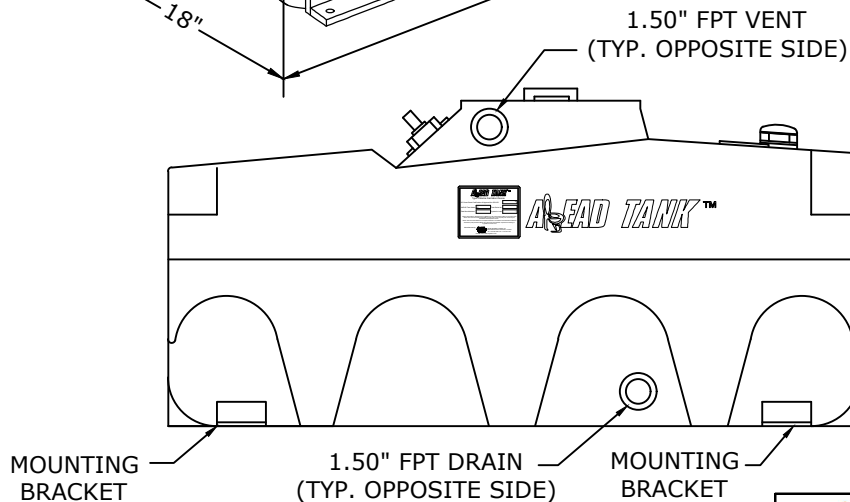
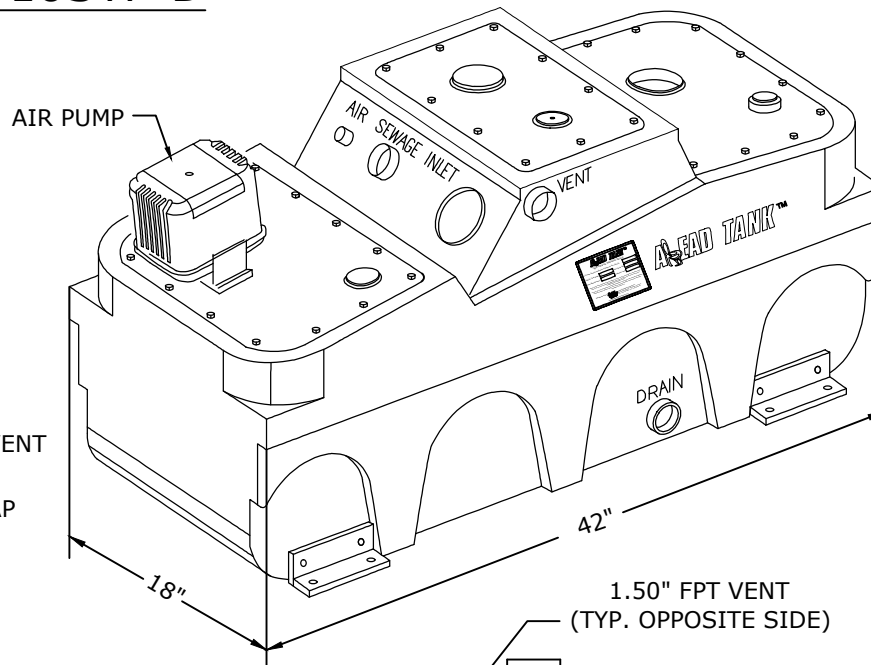
# AT-10STP-D



**TOP**



**BACK**

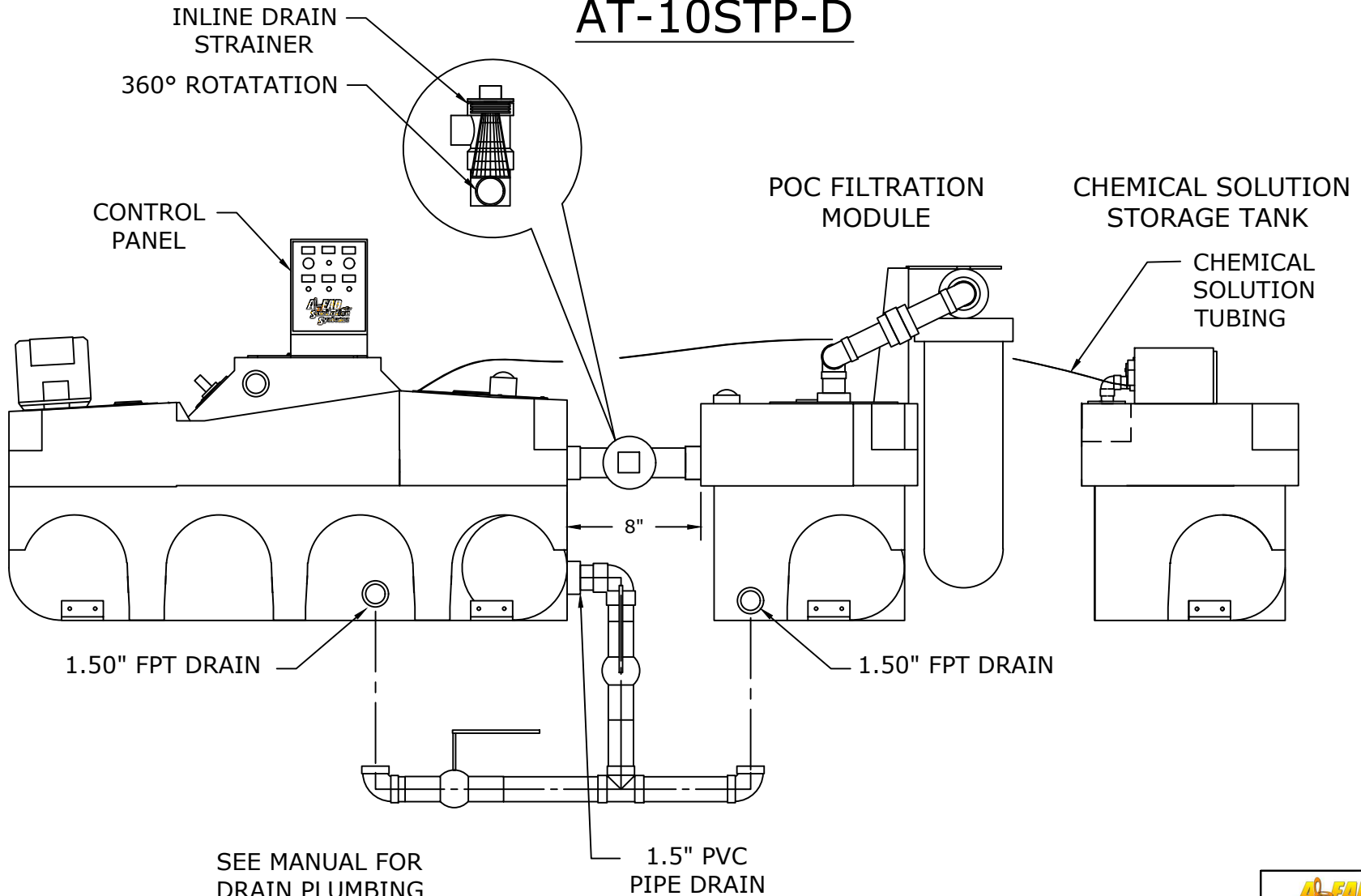


**SIDE**



www.aheadtank.com 337.330.4407 Broussard, LA USA 70518	
FILE NAME: AT-10STP-D PLANS & ELEVATION VIEWS	
DRAFTED BY: SIMENARD	SCALE: NTS
DATE: 10/20/2023	REV:
SUBMITTED DATE: 10/20/2023	SHEET NO: 2 of 5

# AT-10STP-D



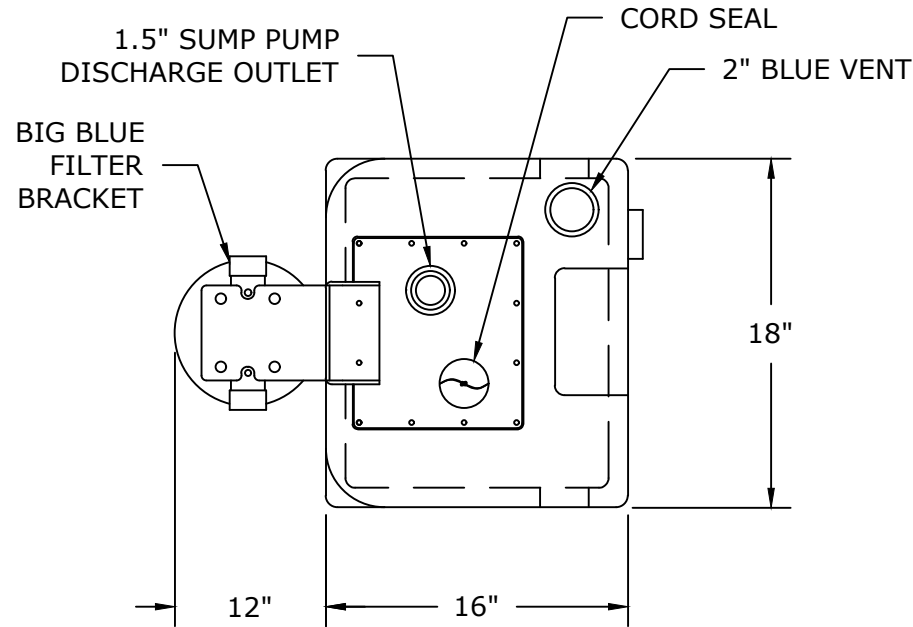
SEE MANUAL FOR  
DRAIN PLUMBING  
INSTALLATION  
(DRAIN PLUMBING NOT INCLUDED)

**A-EAD**  
Sanitation  
Systems

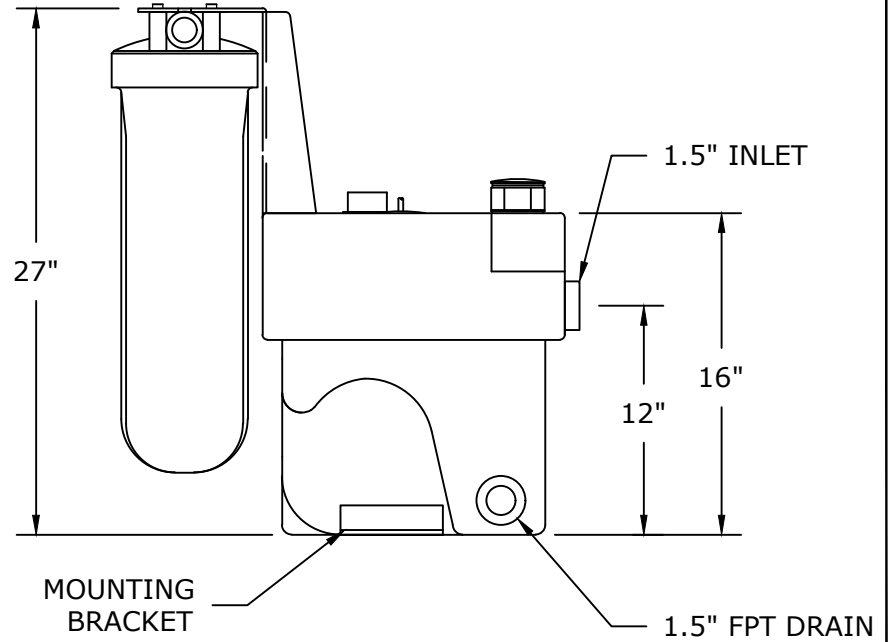
www.aheadranks.com 337.330.4407  
Broussard, LA USA 70518

FILE NAME:	AT-10STP-D		
	TYP. DRAIN MANIFOLD W/POC & CHEMICAL SOLUTION TANK		
DRAFTED BY:	SIMENARD	SCALE:	NTS
DATE:	10/20/2023	SHEET NO.:	3 of 5
REVISION DATE:	10/20/2023	REV.:	

# POC FILTRATION MODULE



TOP



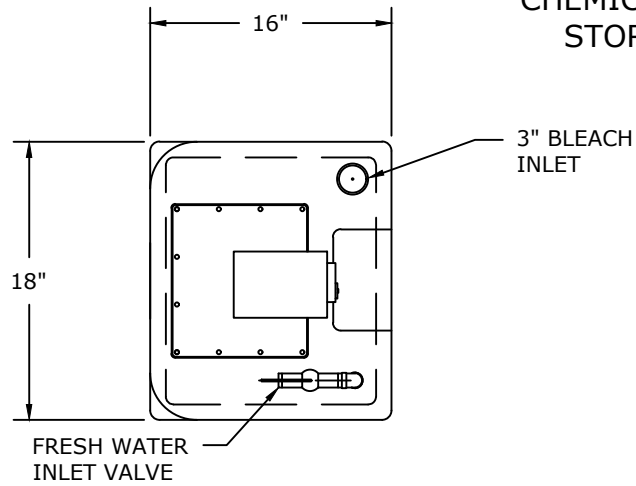
SIDE



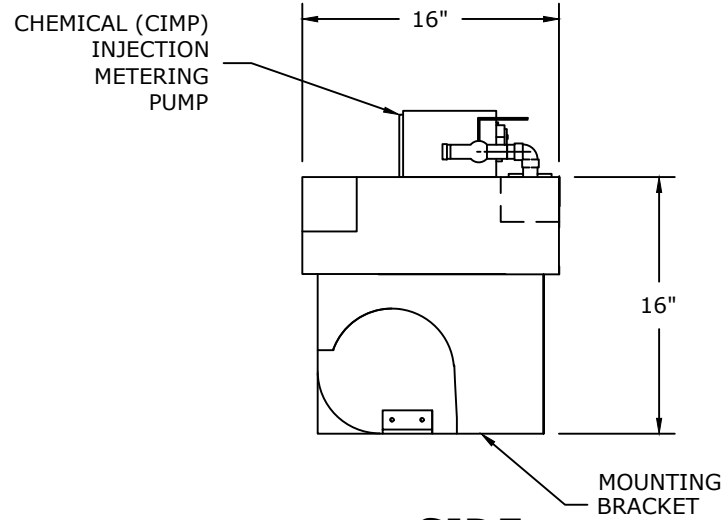
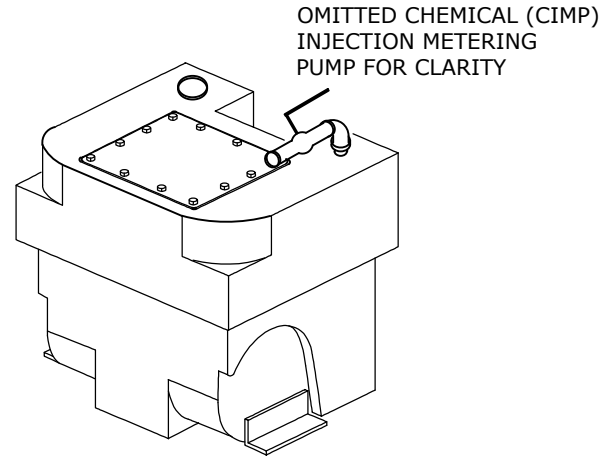
www.aheadtank.com 337.330.4407  
Broussard, LA USA 70518

FILE NAME:		SCALE:	
POC FILTRATION MODULE		NTS	
DRAFTED BY: SIMENARD	DATE: 10/08/2023	SHEET NO:	REV:
	10/08/2023	4 of 5	

# FLOOR MOUNT CHEMICAL SOLUTION STORAGE TANK



TOP



SIDE



www.aheadtank.com 337.330.4407  
Broussard, LA USA 70518

FILE NAME:		CHEMICAL SOLUTION STORAGE TANK	
DRAFTED BY: SIMENARD	SCALE:	NTS	
DATE: 10/20/2023	QUANTITY:	5 of 5	
10/20/2023	REV:		