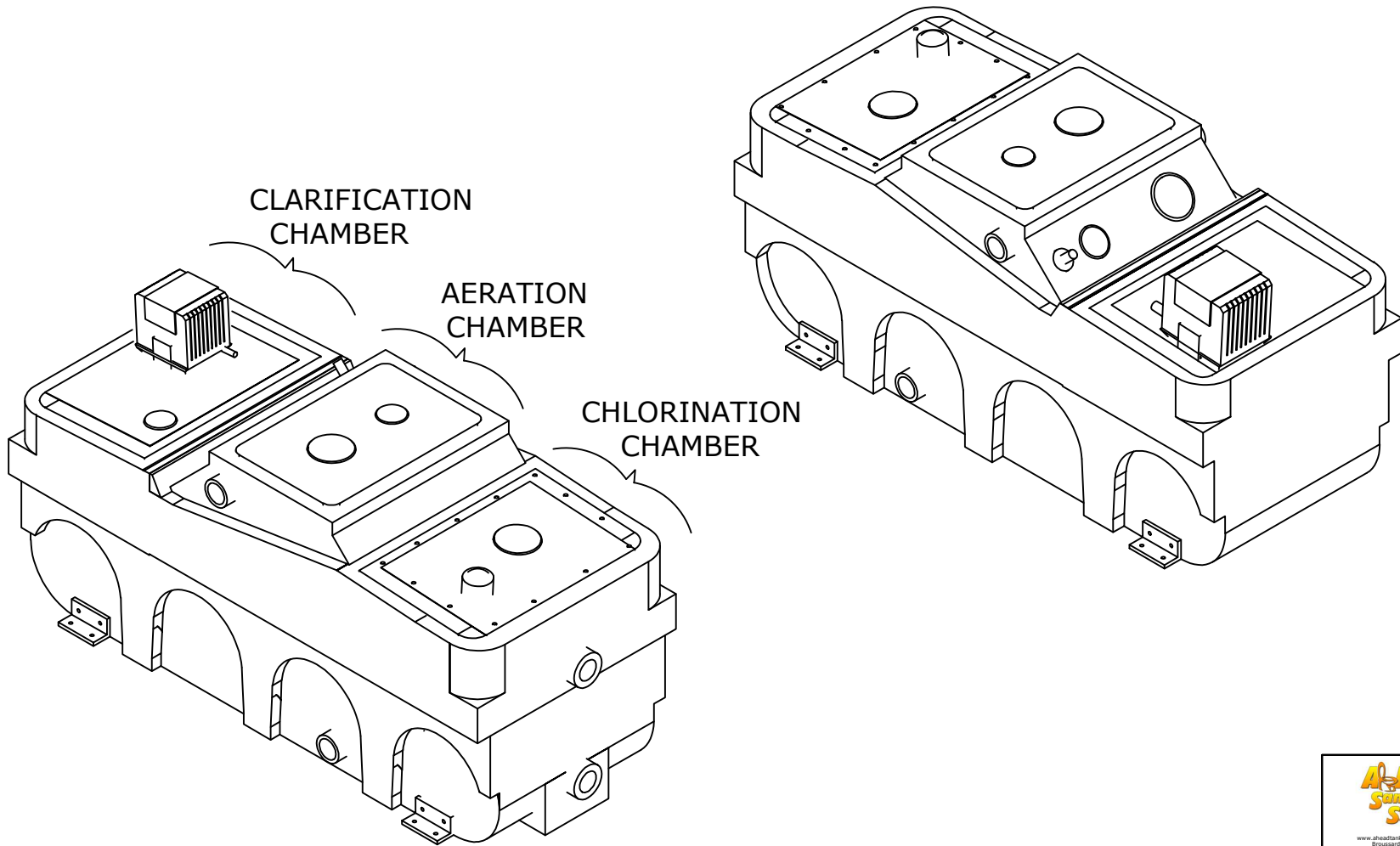


AT-10STP PERSPECTIVES  
(FOR VIEWING PURPOSES ONLY)



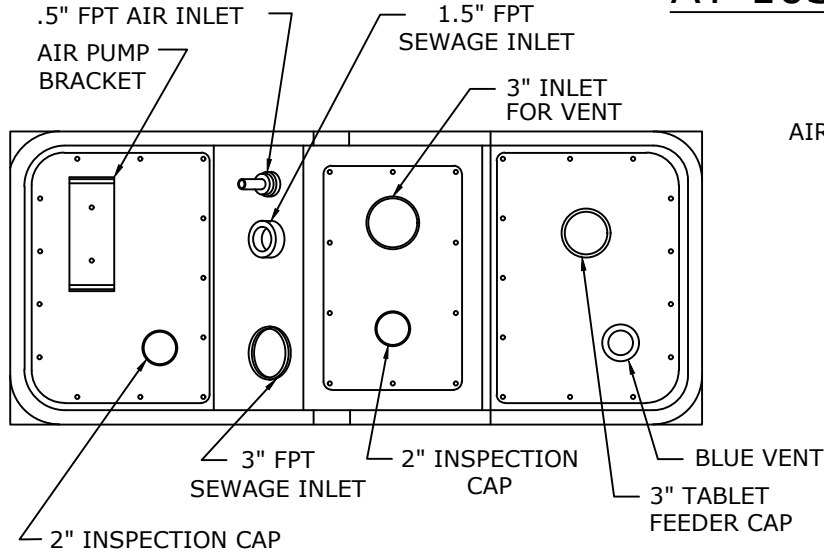
**A-EAD**  
Sanitation  
Systems

www.aheadtank.com 337.330.4407  
Broussard, LA USA 70518

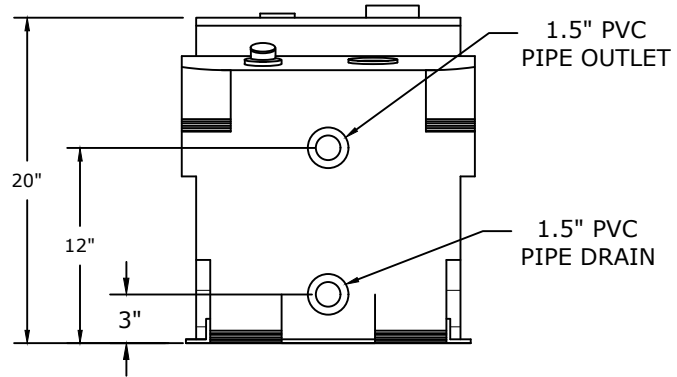
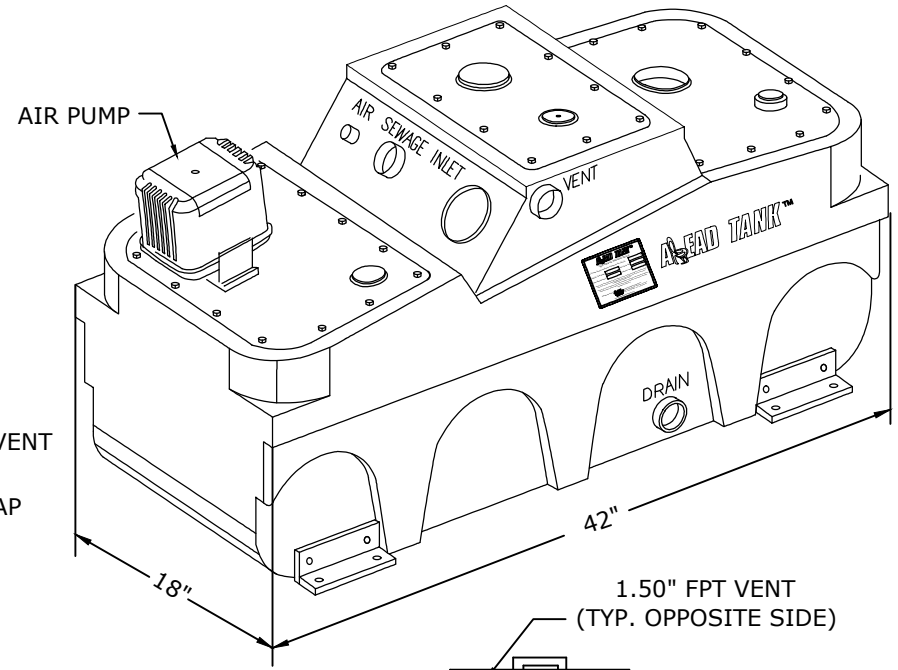
FILE NAME: AT-10STP PERSPECTIVES

DRAFTED BY: SIMENARD	SCALE: NTS
DATE: 10/20/2023	REV:
SUBMITTED DATE: 10/20/2023	SHEET NO: 1 of 4

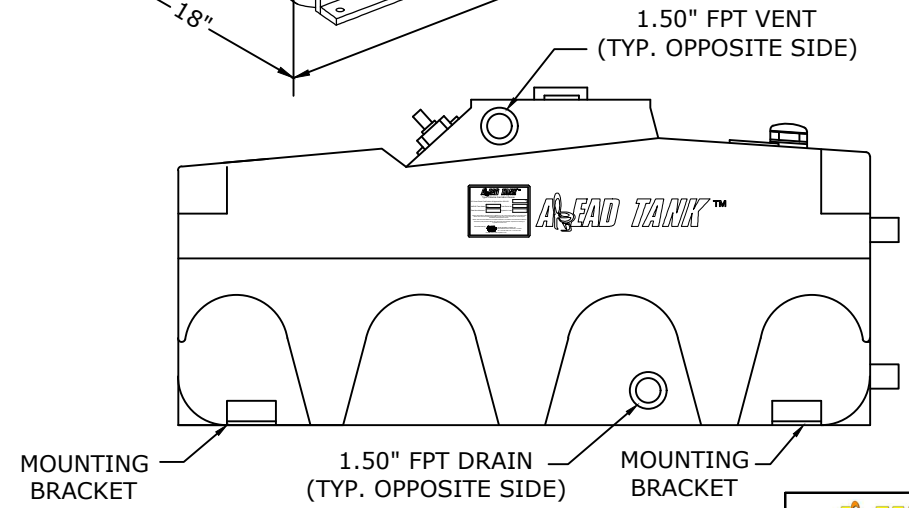
# AT-10STP



**TOP**



**BACK**



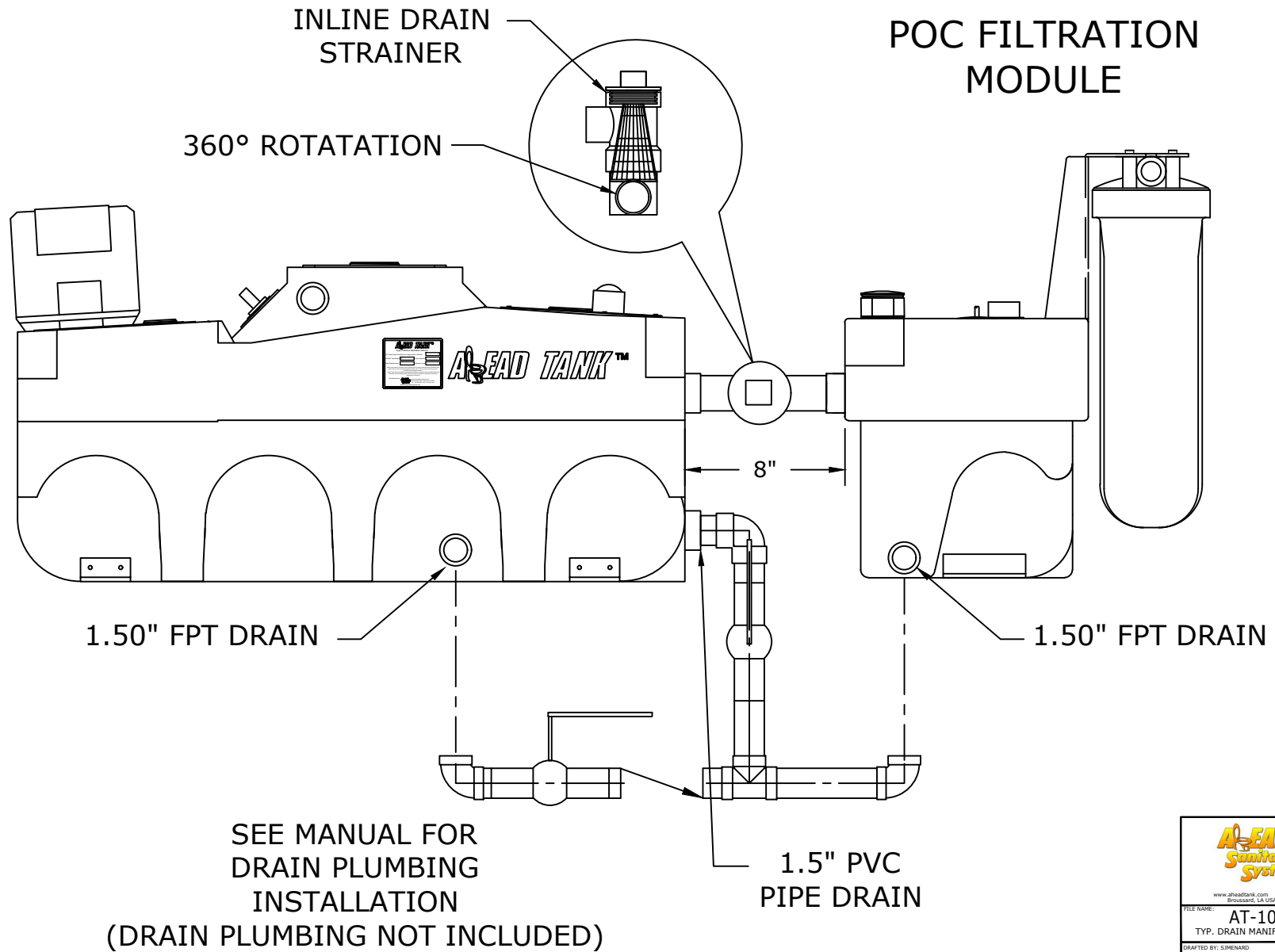
**SIDE**

**A-HEAD Sanitation Systems**  
 www.aheadtank.com 337.330.4407  
 Broussard, LA USA 70518

FILE NAME: **AT-10STP**  
 PLANS & ELEVATION VIEWS

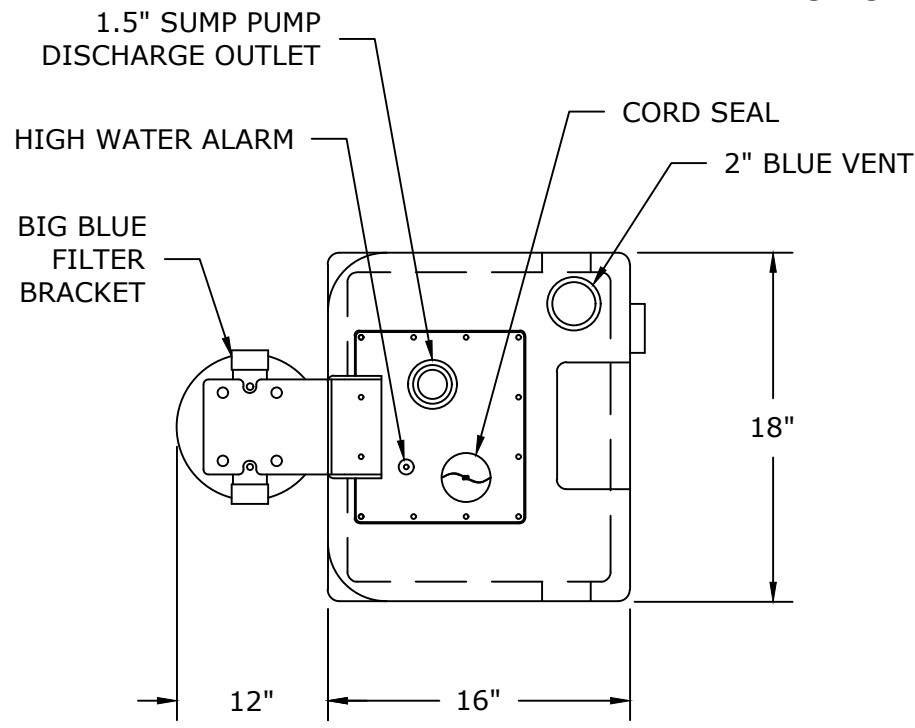
DRAFTED BY: SIMENARD	SCALE: NTS
DATE: 10/20/2023	REVISION: 1
SUBMITTED DATE: 10/20/2023	SHEET NO: 2 of 4

# AT-10STP

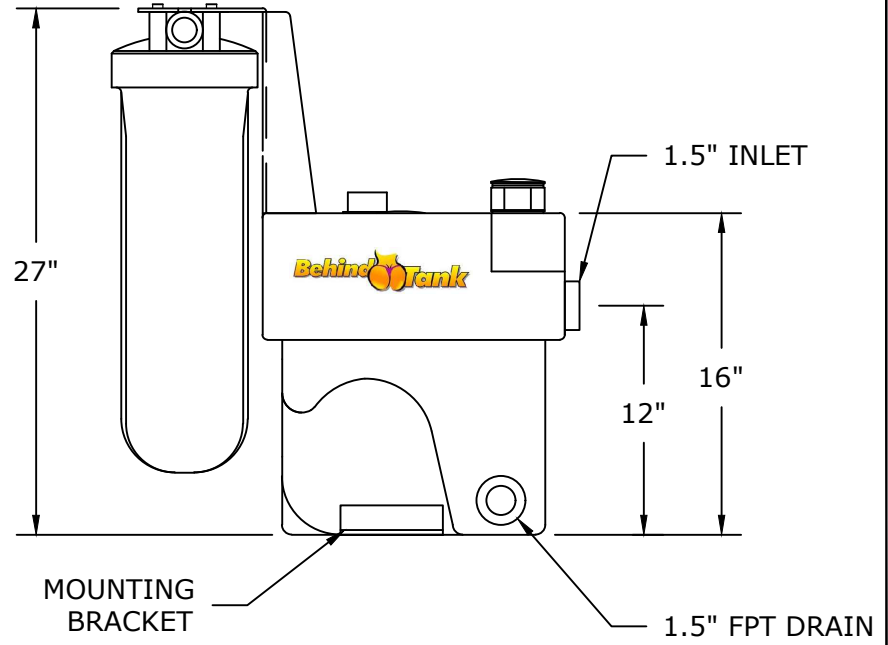


www.aheadtank.com 337.330.4407 Broussard, LA USA 70518	
FILE NAME:	AT-10STP TYP. DRAIN MANIFOLD W/ POC
DRAFTED BY: SIMENARD	SCALE: NTS
DATE: 10/20/2023	REV:
QUOTED DATE: 10/20/2023	SHEET NO: 3 of 4


# POC FILTRATION MODULE



TOP



SIDE



www.aheadtank.com 337.330.4407  
Broussard, LA USA 70518

FILE NAME:		SCALE:	
POC FILTRATION MODULE		NTS	
DRAFTED BY: SIMENARD	DATE: 10/20/2023	DESIGNED BY:	SCALE:
REVIEWED DATE: 10/20/2023	SHEET NO: 4 of 5	REV:	