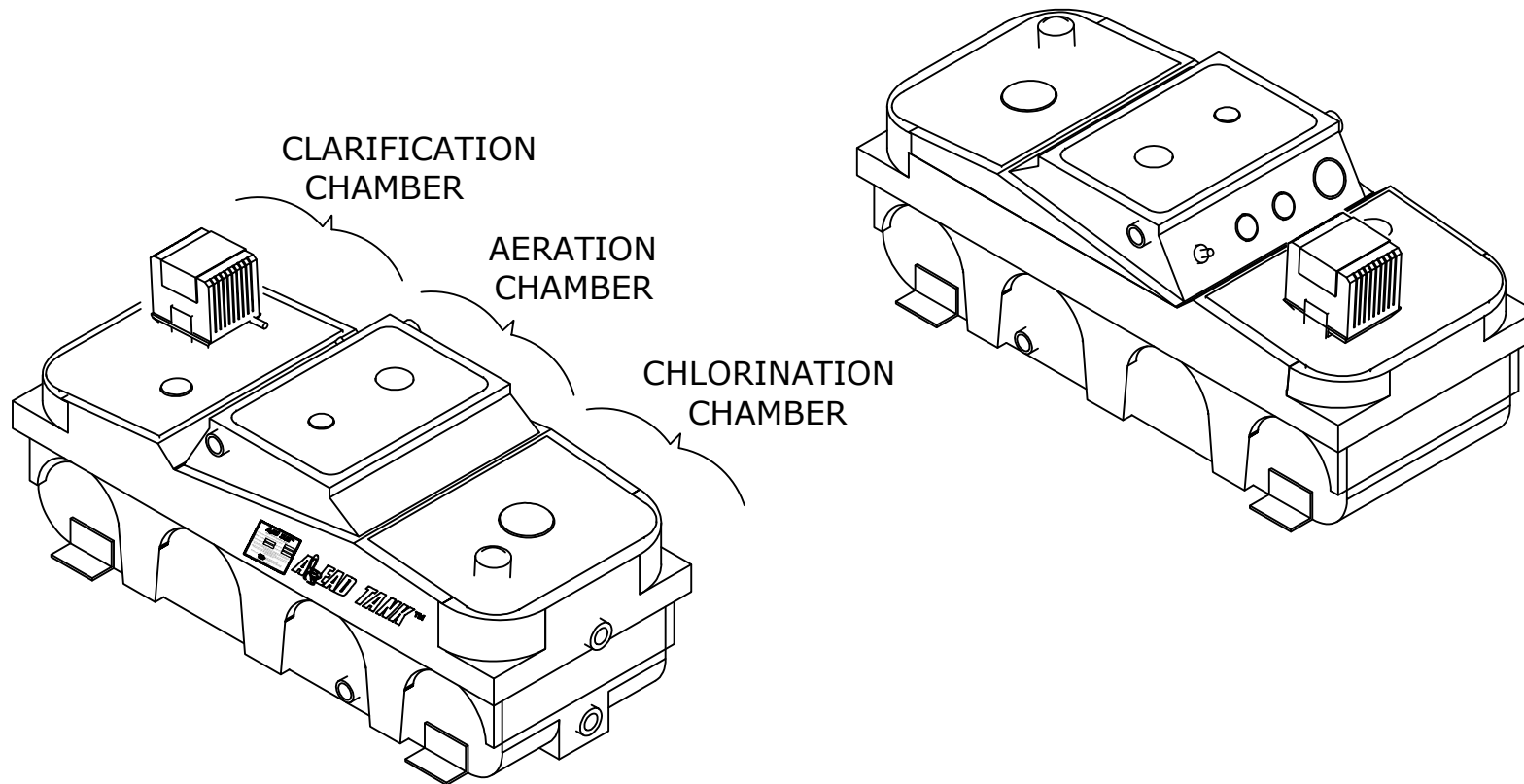


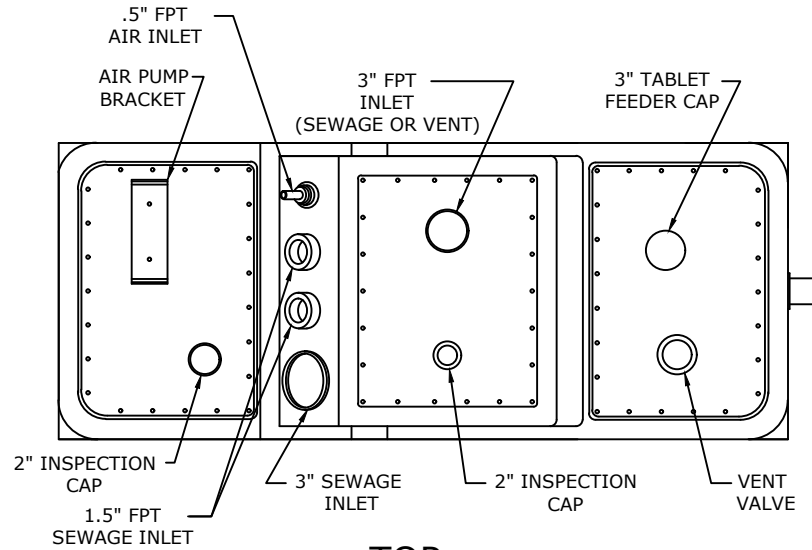
AT-12T PERSPECTIVES  
(FOR VIEWING PURPOSES ONLY)



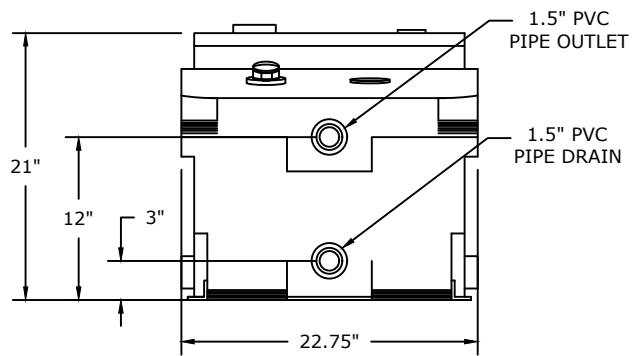
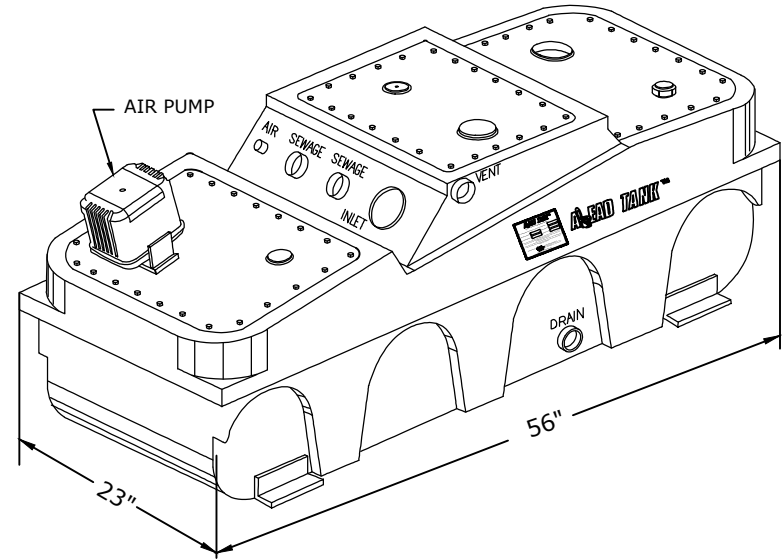
www.aeadtrunk.com 337.330.4407  
Broussard, LA USA 70518

FILE NAME:	AT-12T PERSPECTIVES
DRAFTED BY: SIMENARD	SCALE: NTS
DATE: 10/20/2023	REV:
SUBMITTED DATE: 10/20/2023	SHEET NO: 1 of 5

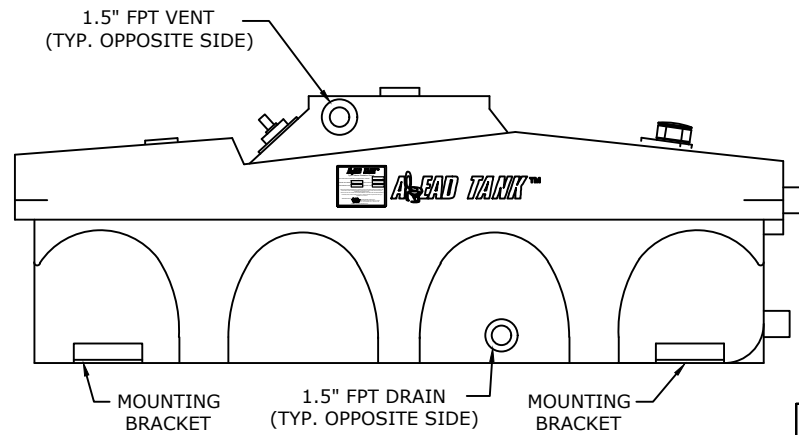
# AT-12T



**TOP**



**BACK**



**SIDE**

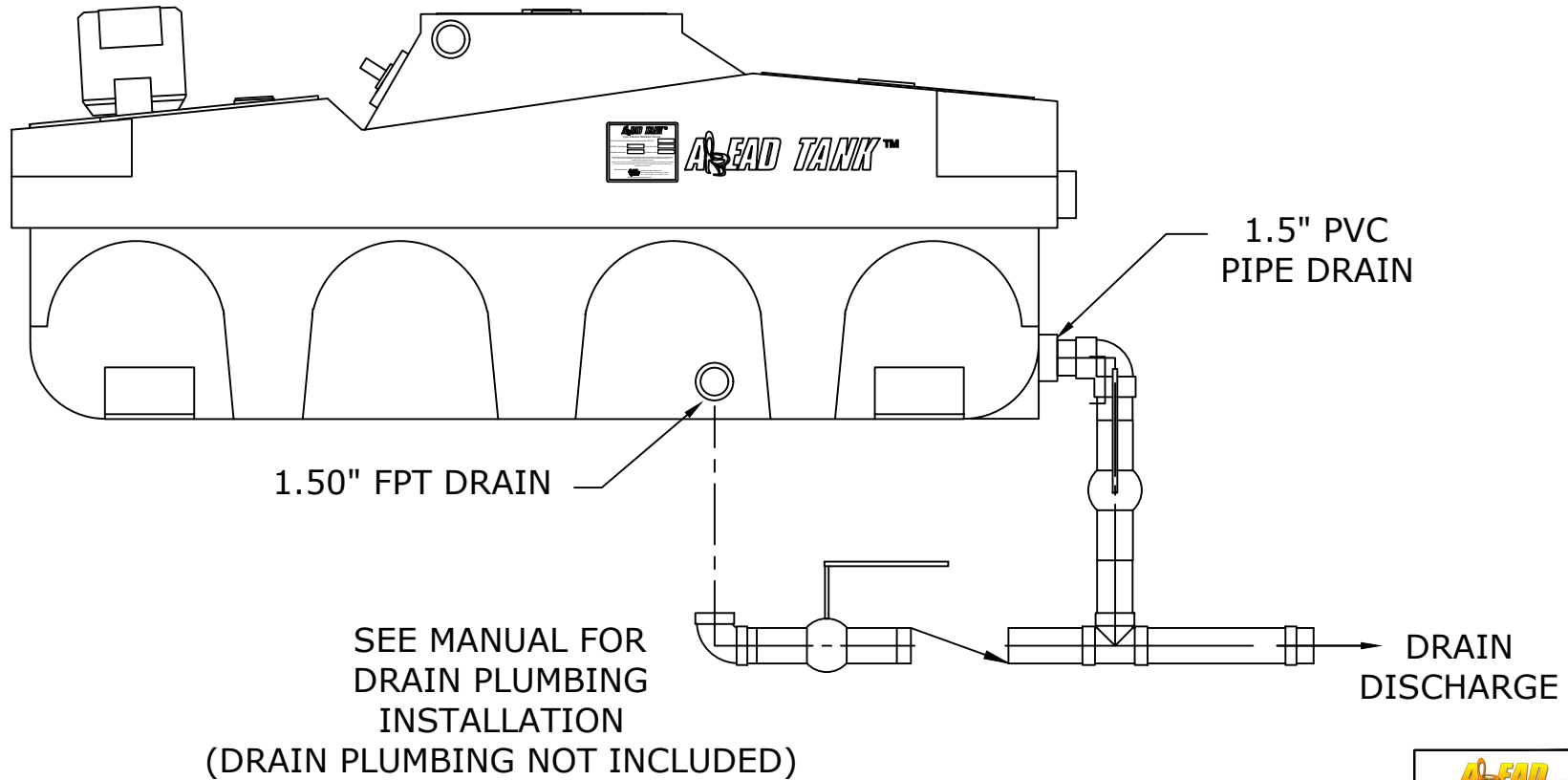


www.aheadtanks.com 337.330.4407  
Broussard, LA USA 70518

FILE NAME: **AT-12T**  
PLANS & ELEVATION VIEWS

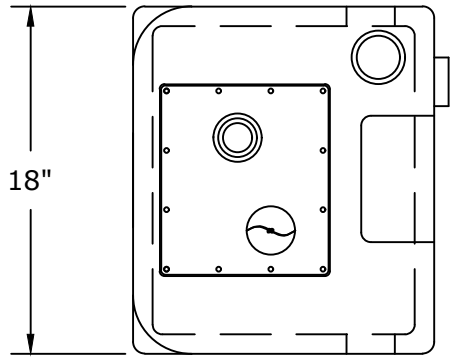
DRAFTED BY: SIMENARD	SCALE: NTS
DATE: 10/20/2023	REV:
SUBMITTED DATE: 10/20/2023	SHEET NO: 2 of 5

# AT-12T



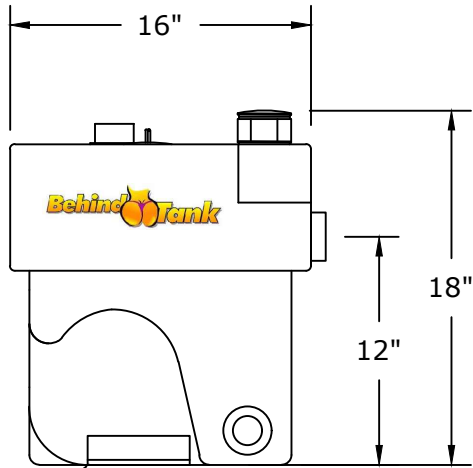
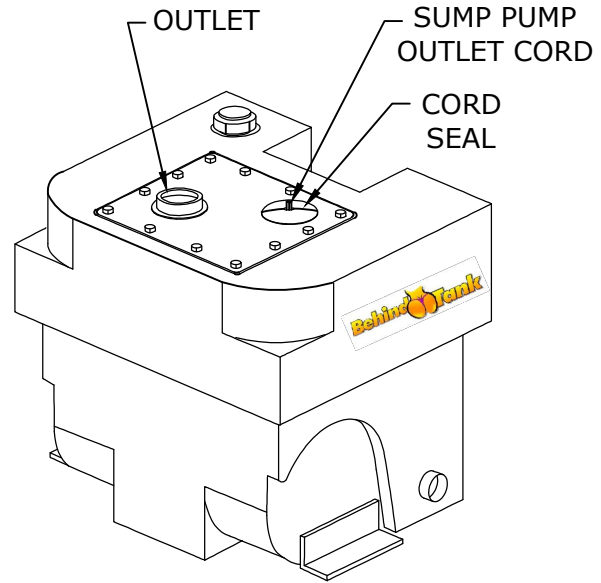
www.aheadtank.com 337.330.4407  
Broussard, LA USA 70518

FILE NAME:		AT-12T	
DRAFTED BY: SIMENARD		SCALE: NTS	
DATE: 10/20/2023		REV:	
SUBMITTED DATE: 10/20/2023		SHEET NO: 3 of 5	



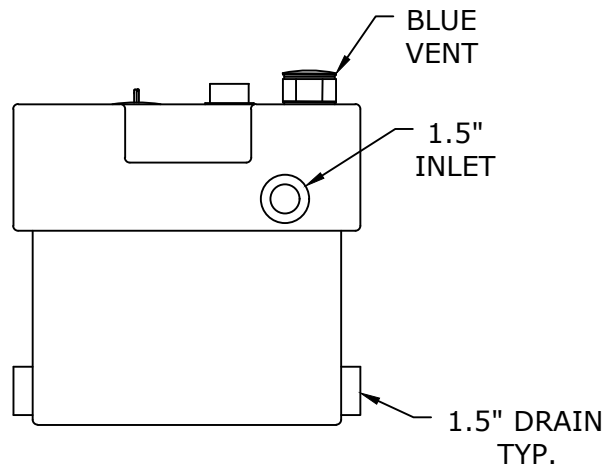
18"

TOP




MOUNTING BRACKET

SIDE

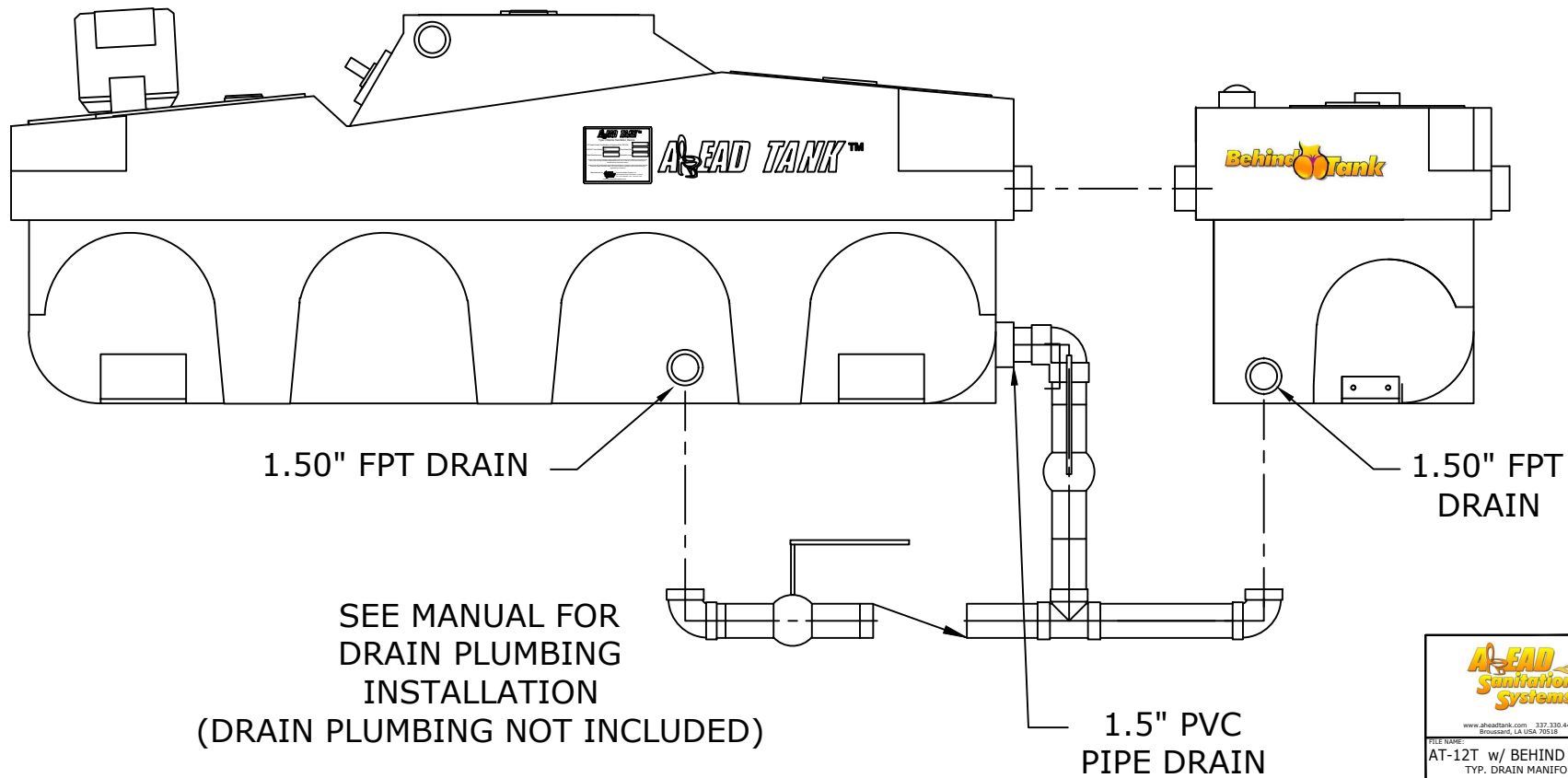


BACK

	
<small>www.aheadtank.com 337.330.4407 Broussard, LA USA 70518</small>	
<b>BEHIND TANK</b>	
<small>DRAFTED BY: SIMENARD</small>	<small>SCALE: NTS</small>
<small>DATE: 10/20/2023</small>	<small>REV:</small>
<small>SUBMITTED DATE: 10/20/2023</small>	<small>SHEET NO: 5 of 5</small>

# AT-12T WITH BEHIND TANK

BEHIND TANK



www.aheadtank.com 337.330.4407  
Broussard, LA USA 70518

FILE NAME:	AT-12T w/ BEHIND TANK TYP. DRAIN MANIFOLD	SCALE:	NTS
DRAFTED BY:	SIMENARD	DATE:	10/20/2023
SUBMITTED DATE:	10/20/2023	SHEET NO.:	4 of 5
		REV.:	