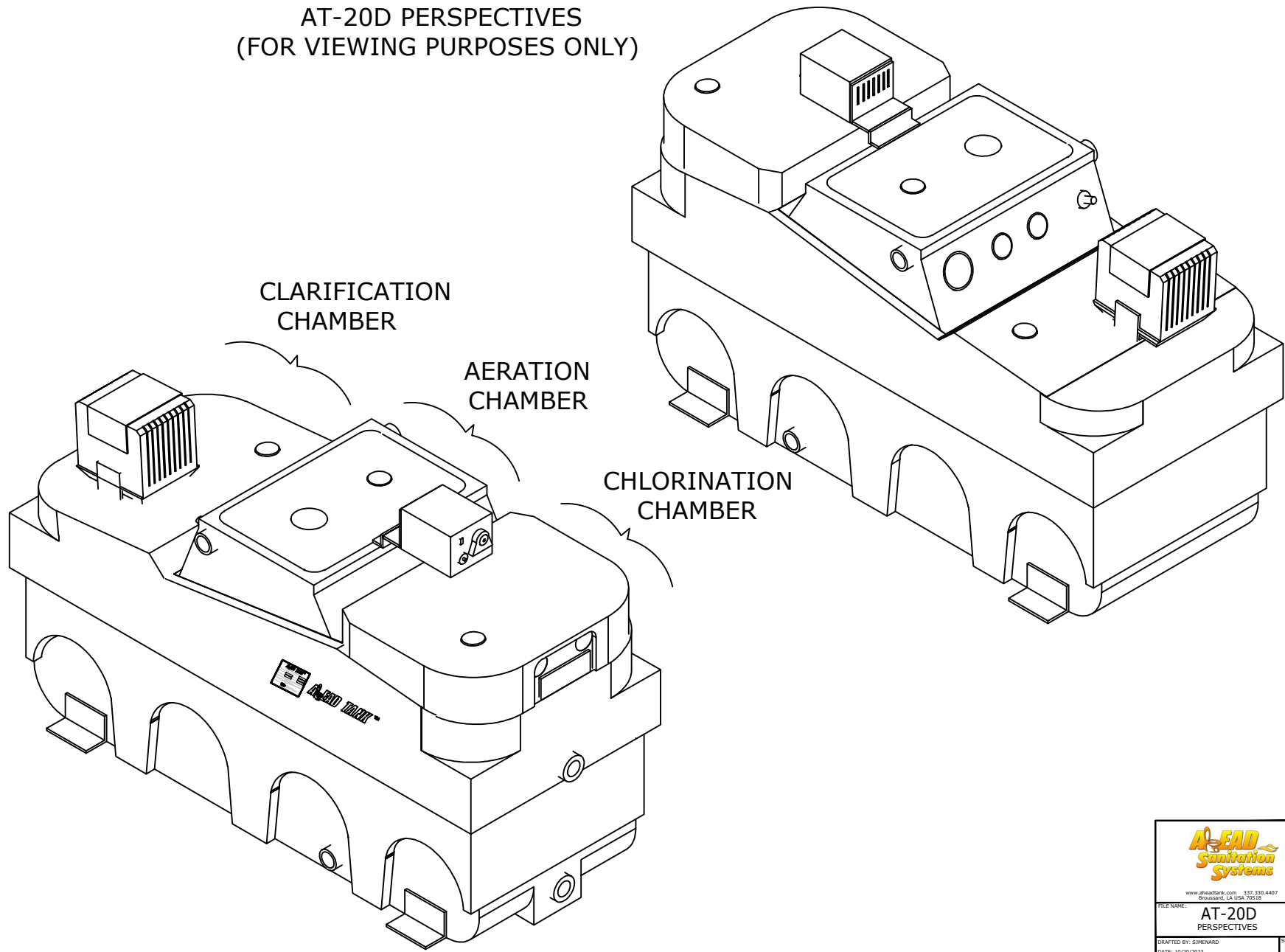


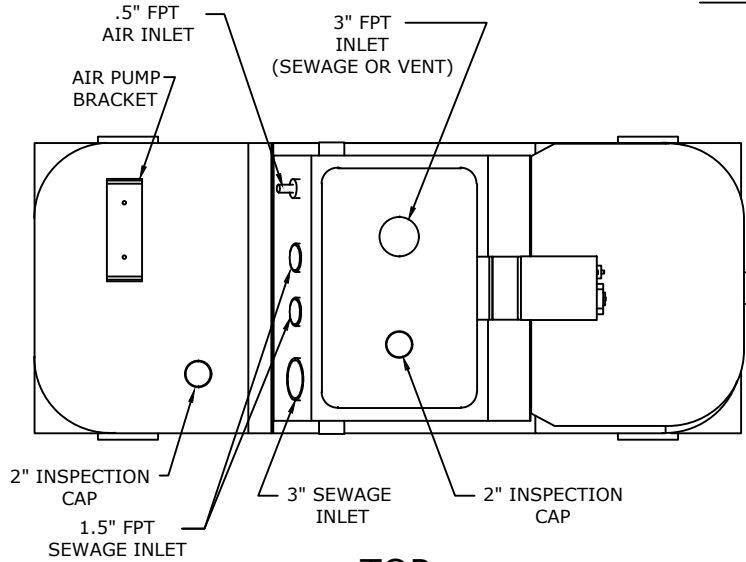
AT-20D PERSPECTIVES  
(FOR VIEWING PURPOSES ONLY)



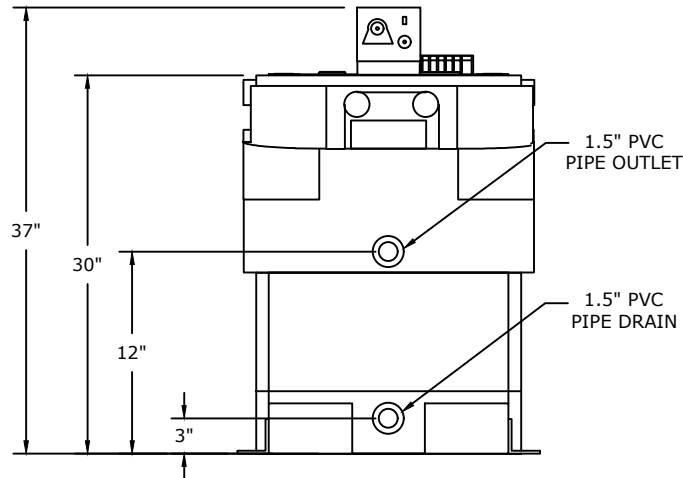
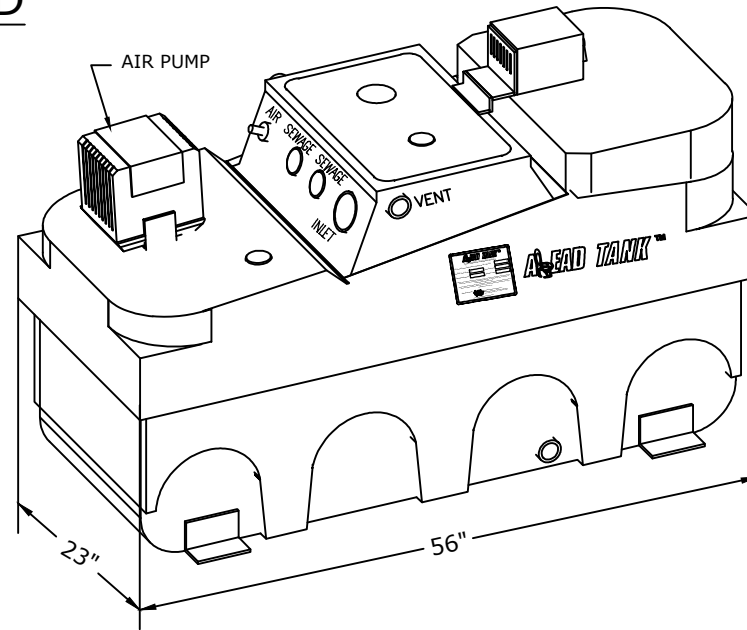
www.aheadfans.com 337.330.4407  
Broussard, LA USA 70518

FILE NAME:	AT-20D PERSPECTIVES	SCALE:	NTS
DRAFTED BY:	SIMENARD	DATE:	10/20/2023
SUBMITTED DATE:	10/20/2023	SHEET NO.:	1 of 4
		REV.:	

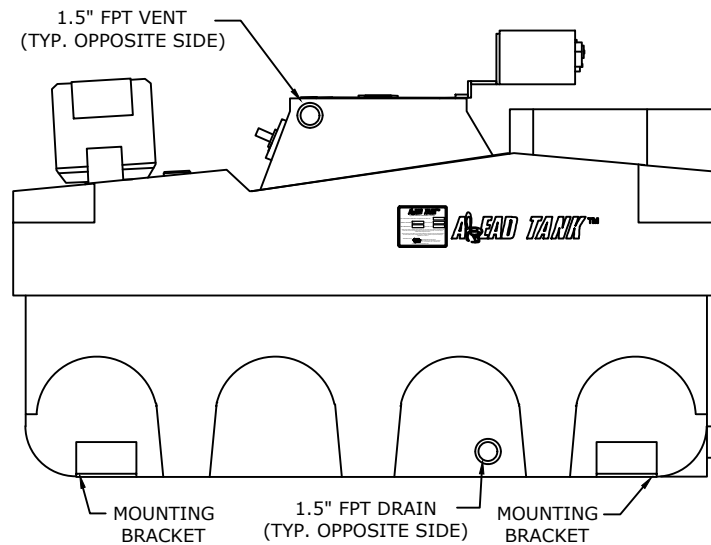
# AT-20D



**TOP**



**BACK**



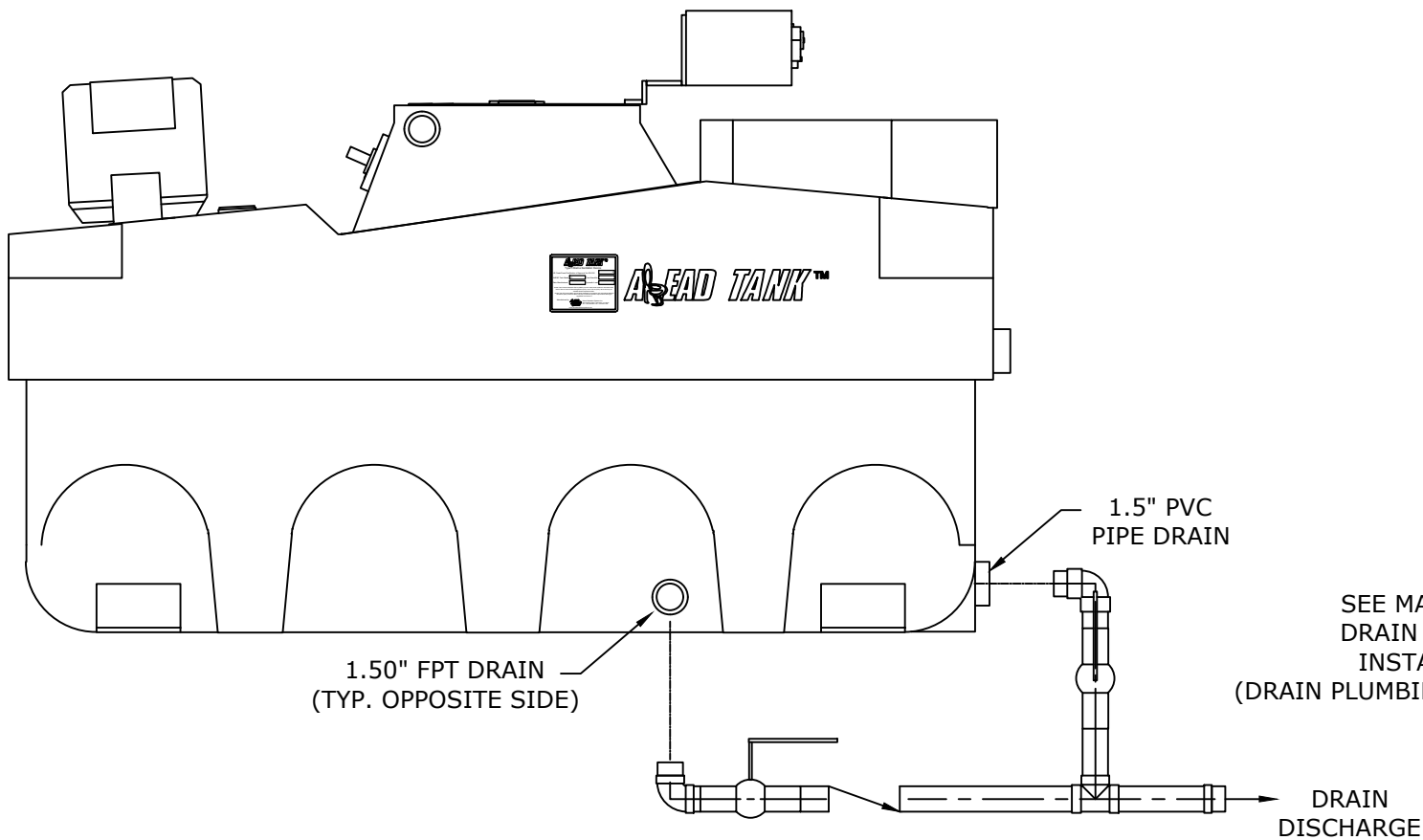
**SIDE**




www.aheadtank.com 337.330.4407  
Broussard, LA USA 70518

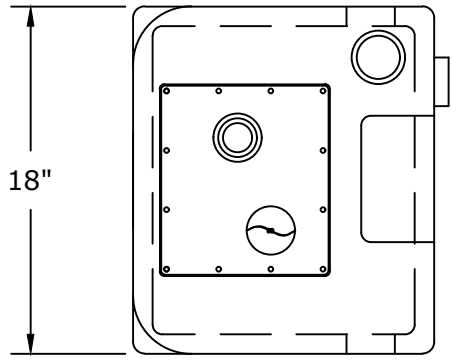
FILE NAME: AT-20D		SCALE: NTS
PLANS & ELEVATION VIEWS		
DRAFTED BY: SIMENARD	DATE: 10/20/2023	SCALE: NTS
QUOTED DATE: 10/20/2023	SHEET NO: 2 of 4	REV:

# AT-20D



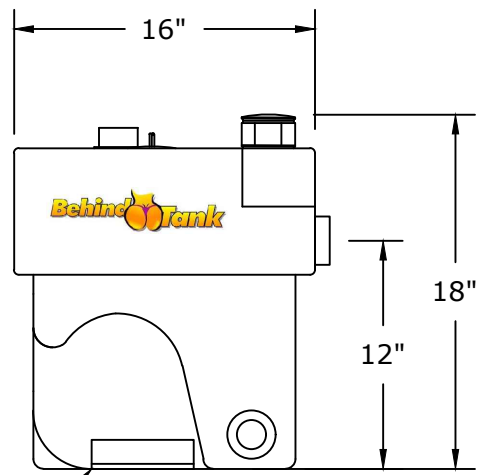
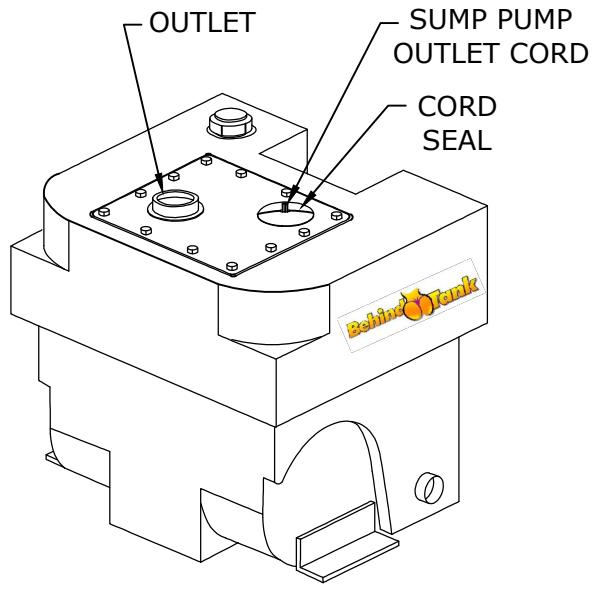
SEE MANUAL FOR  
DRAIN PLUMBING  
INSTALLATION  
(DRAIN PLUMBING NOT INCLUDED)

 www.aheadtank.com 337.330.4407 Broussard, LA USA 70518	
FILE NAME: AT-20D TYP. DRAIN MANIFOLD	
DRAFTED BY: SIMENARD	SCALE: NTS
DATE: 10/20/2023	REVISIONS:
THROWNET DATE: 10/20/2023	SHEET NO: 3 of 4

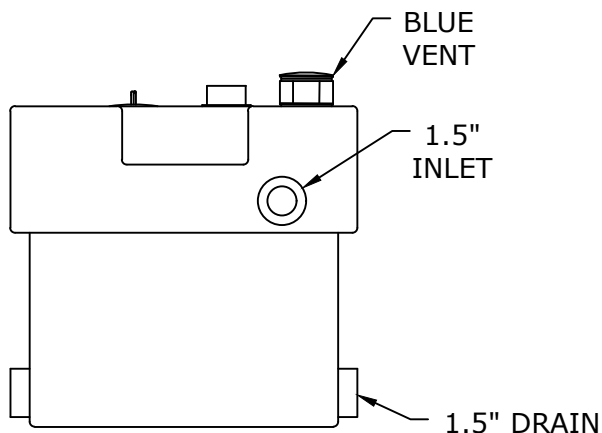


18"

TOP



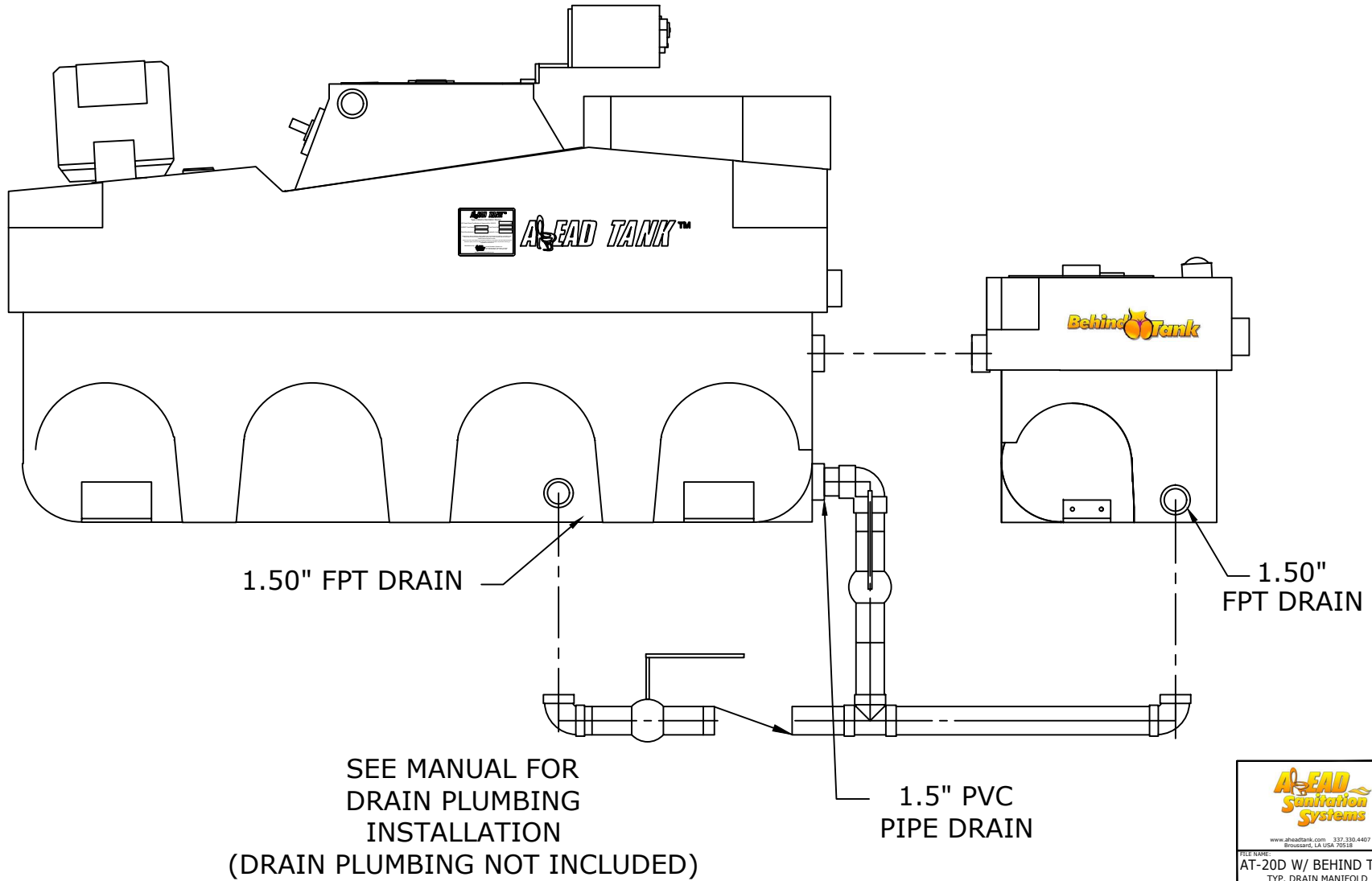
SIDE



BACK

	
<small>www.aheadtank.com 337.330.4407 Broussard, LA USA 70518</small>	
<b>BEHIND TANK</b>	
<small>DRAFTED BY: SIMENARD</small>	<small>SCALE: NTS</small>
<small>DATE: 10/20/2023</small>	<small>REV:</small>
<small>SUBMITTED DATE: 10/20/2023</small>	<small>SHEET NO: 5 of 5</small>

# AT-20D W/ BEHIND TANK



www.aheadtank.com 337.330.4407  
Broussard, LA USA 70518

FILE NAME		SCALE
AT-20D W/ BEHIND TANK		NTS
TYP. DRAIN MANIFOLD		
DRAFTED BY: SIMENARD	DATE: 10/20/2023	REVISION
10/20/2023	4 of 4	