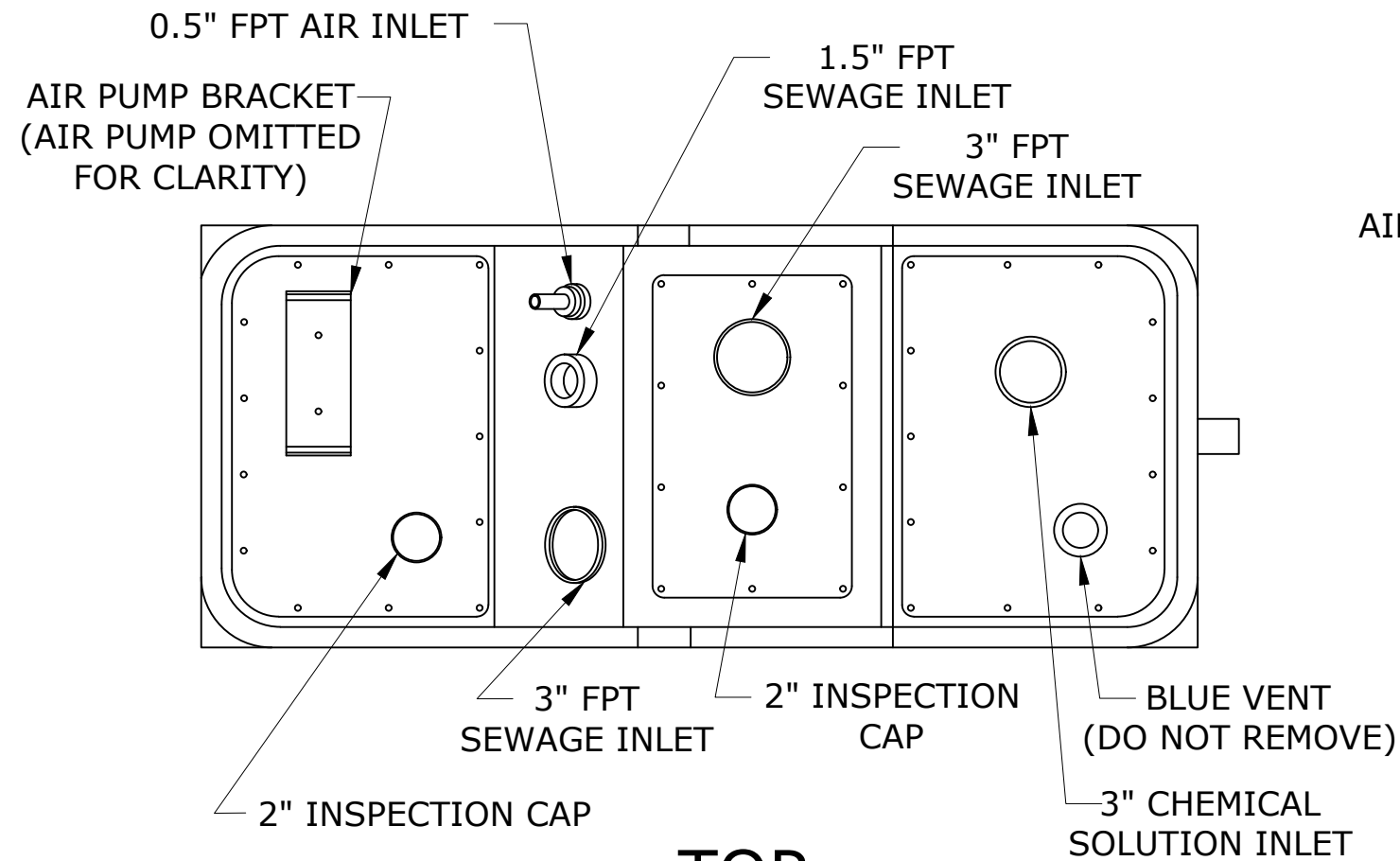


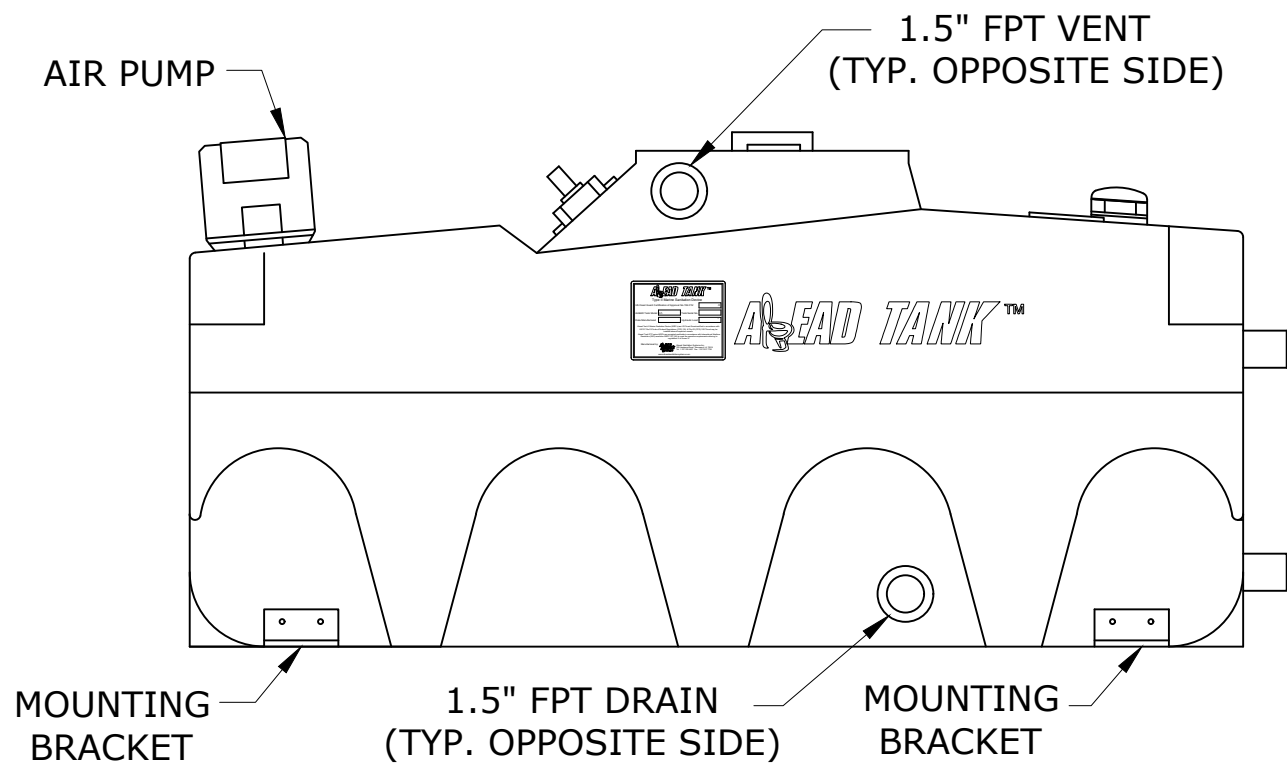
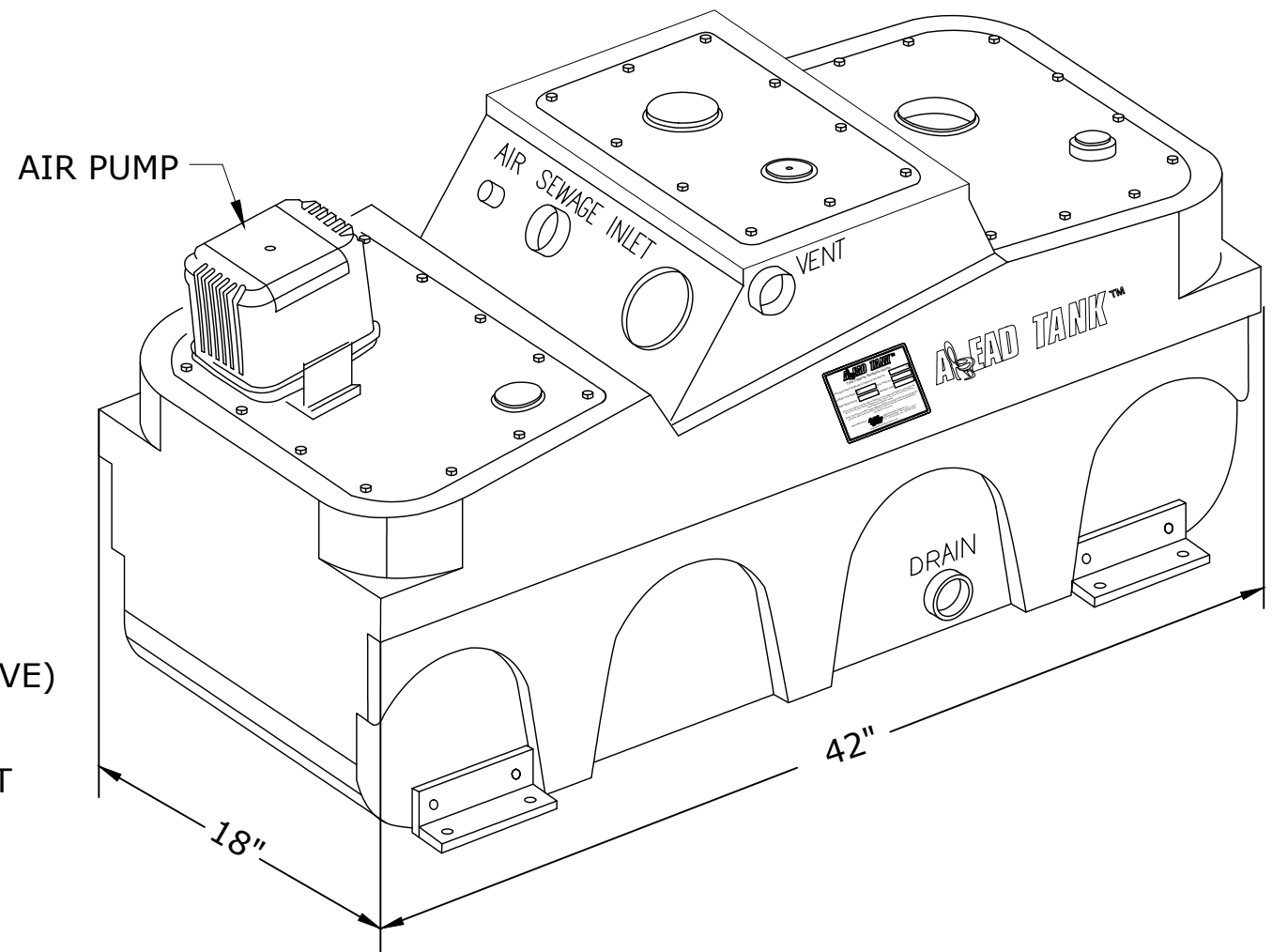
www.aheadtank.com 337.330.4407
Broussard, LA USA 70518

AT-10STP-D
PERSPECTIVES

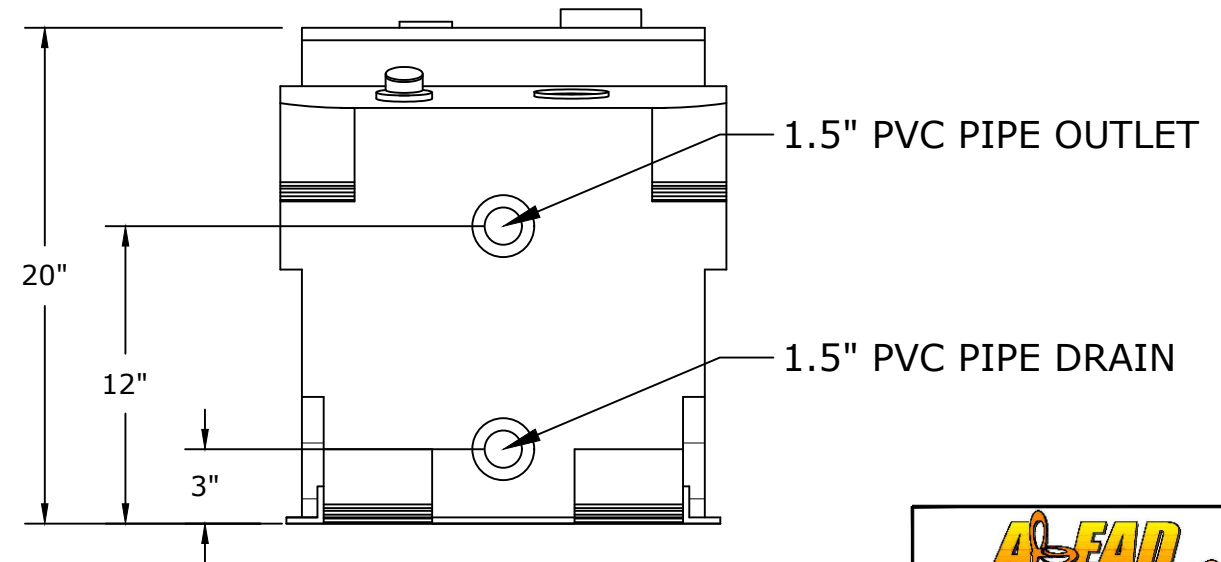
DRAFTED BY: In-house	SCALE: NTS
SUBMITTED DATE: 12-15-25	SHEET NO: 1 of 5
	REV. C



TOP



SIDE



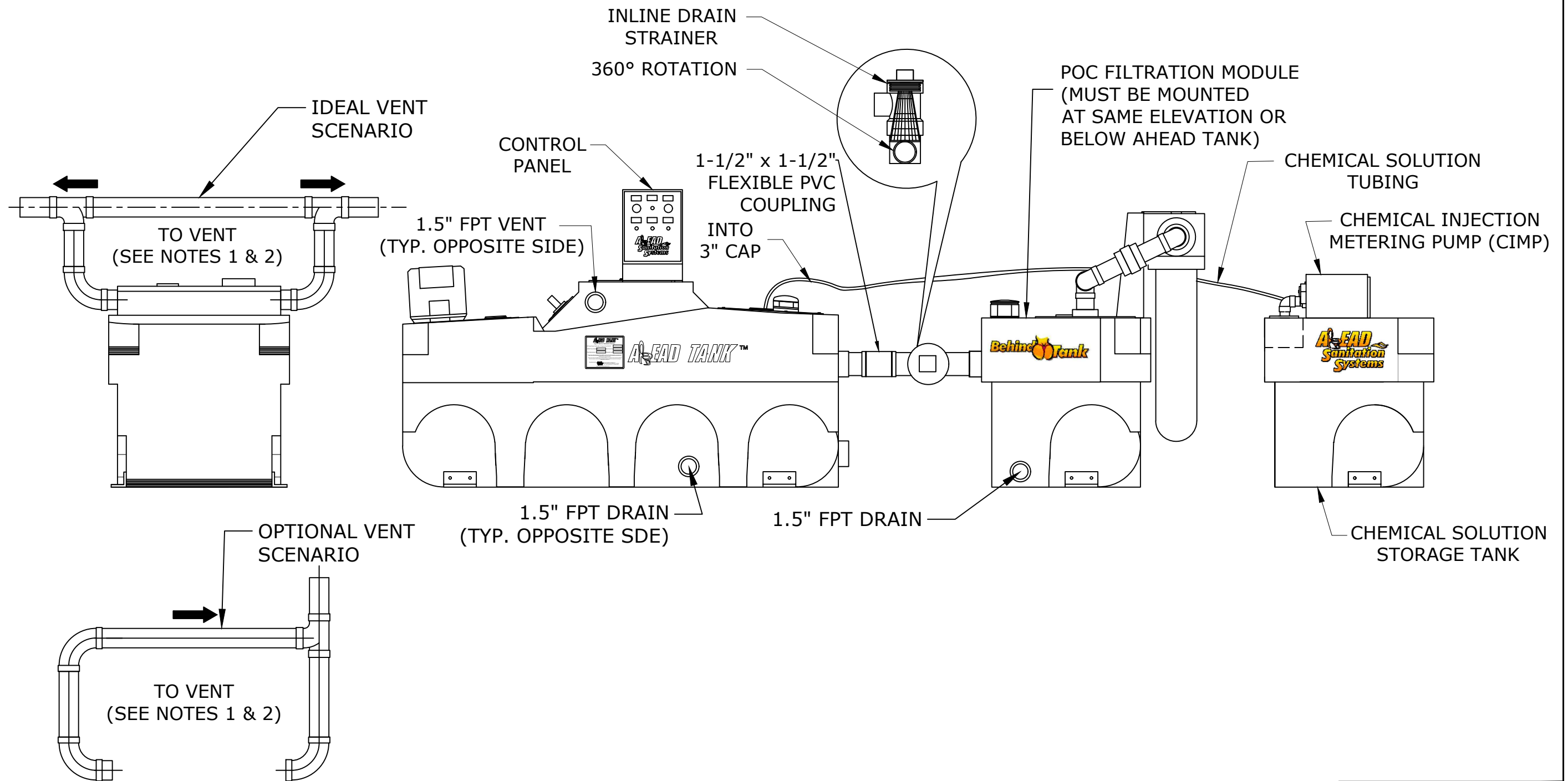
BACK



www.aheadtank.com 337.330.4407
Broussard, LA USA 70518


AT-10STP-D
PLAN & ELEVATION VIEWS

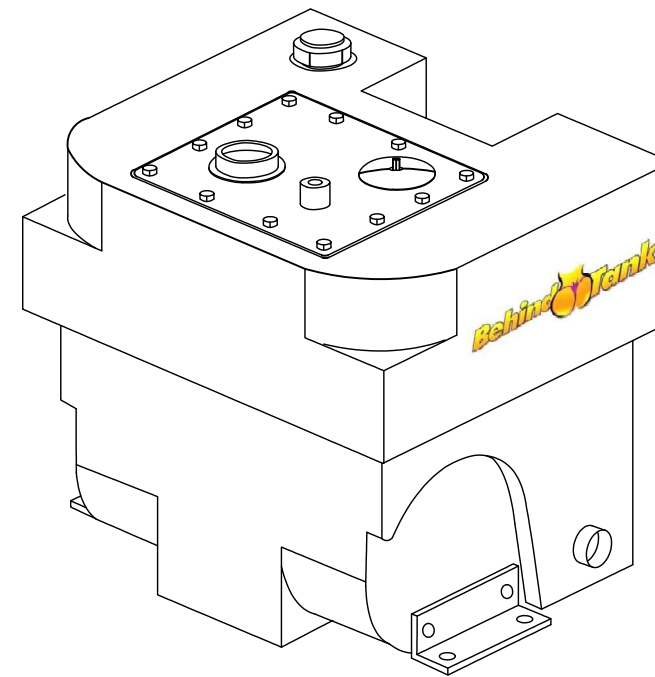
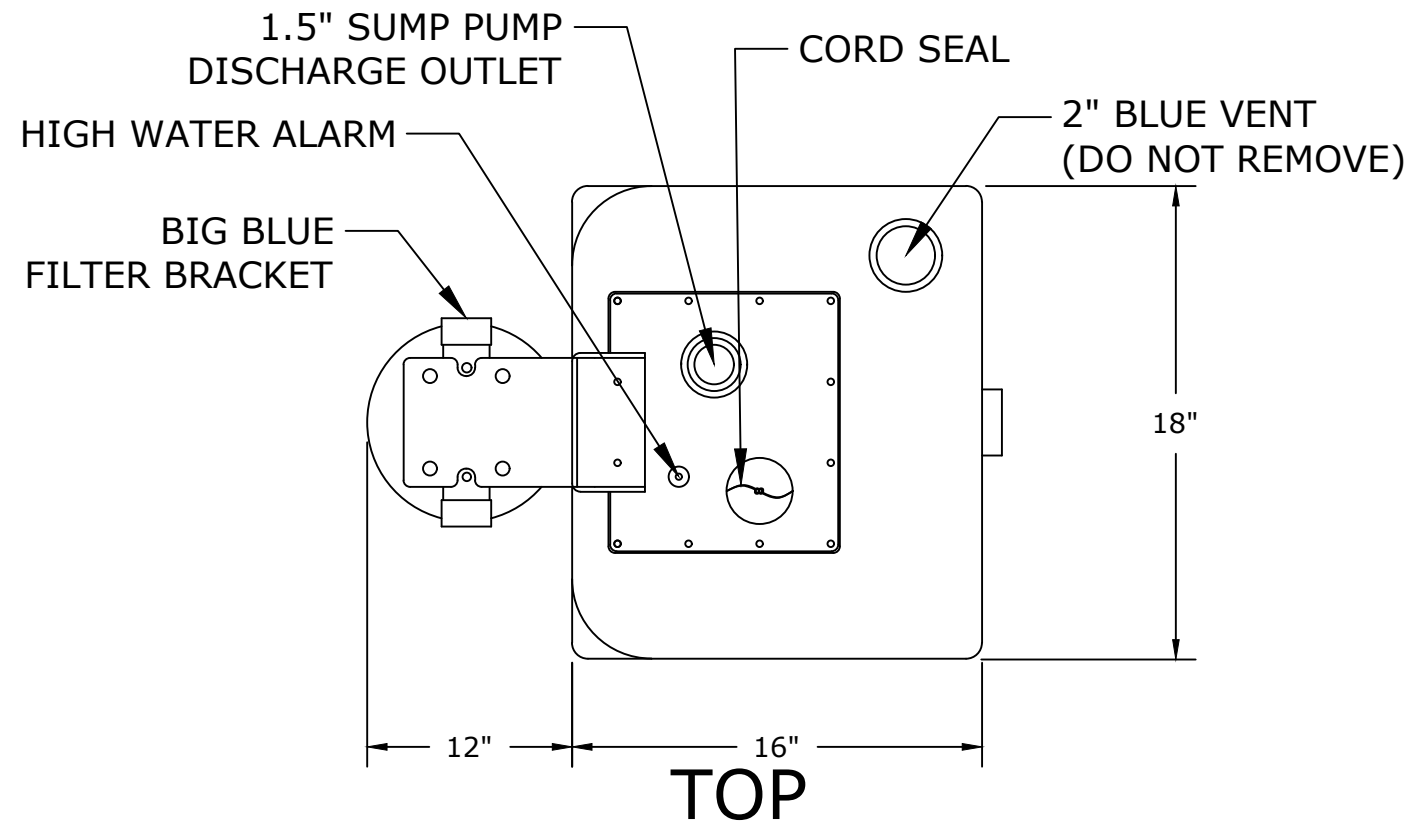
DRAFTED BY: In-house	SCALE: NTS
SUBMITTED DATE: 12-15-25	SHEET NO: 2 of 5
	REV. C



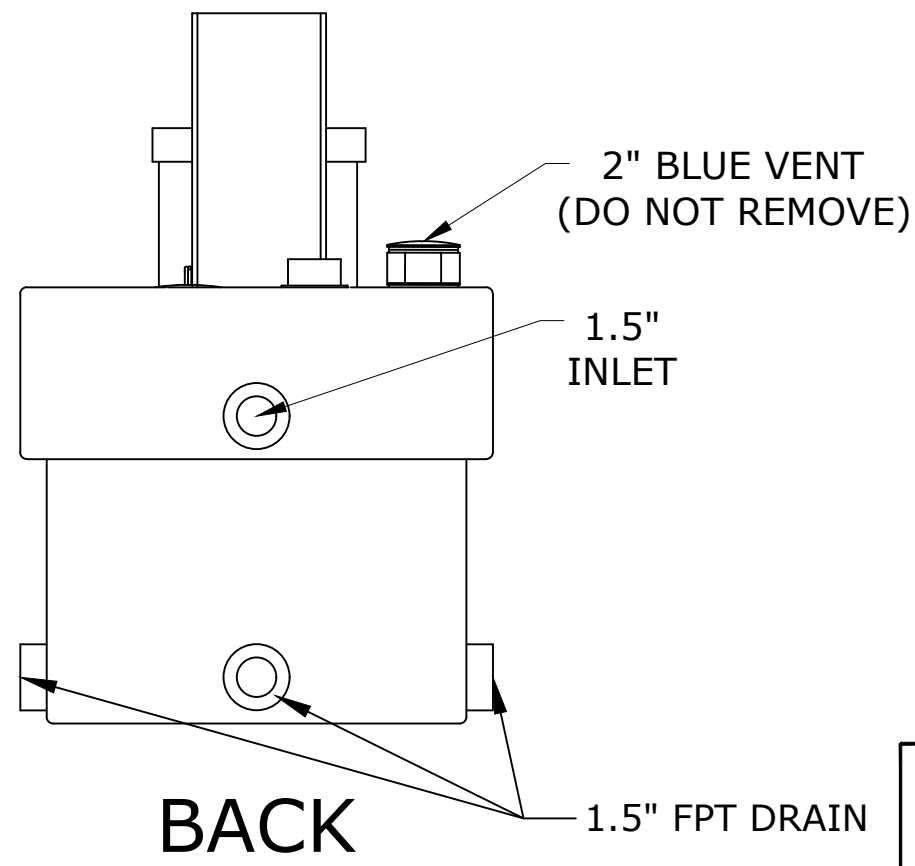
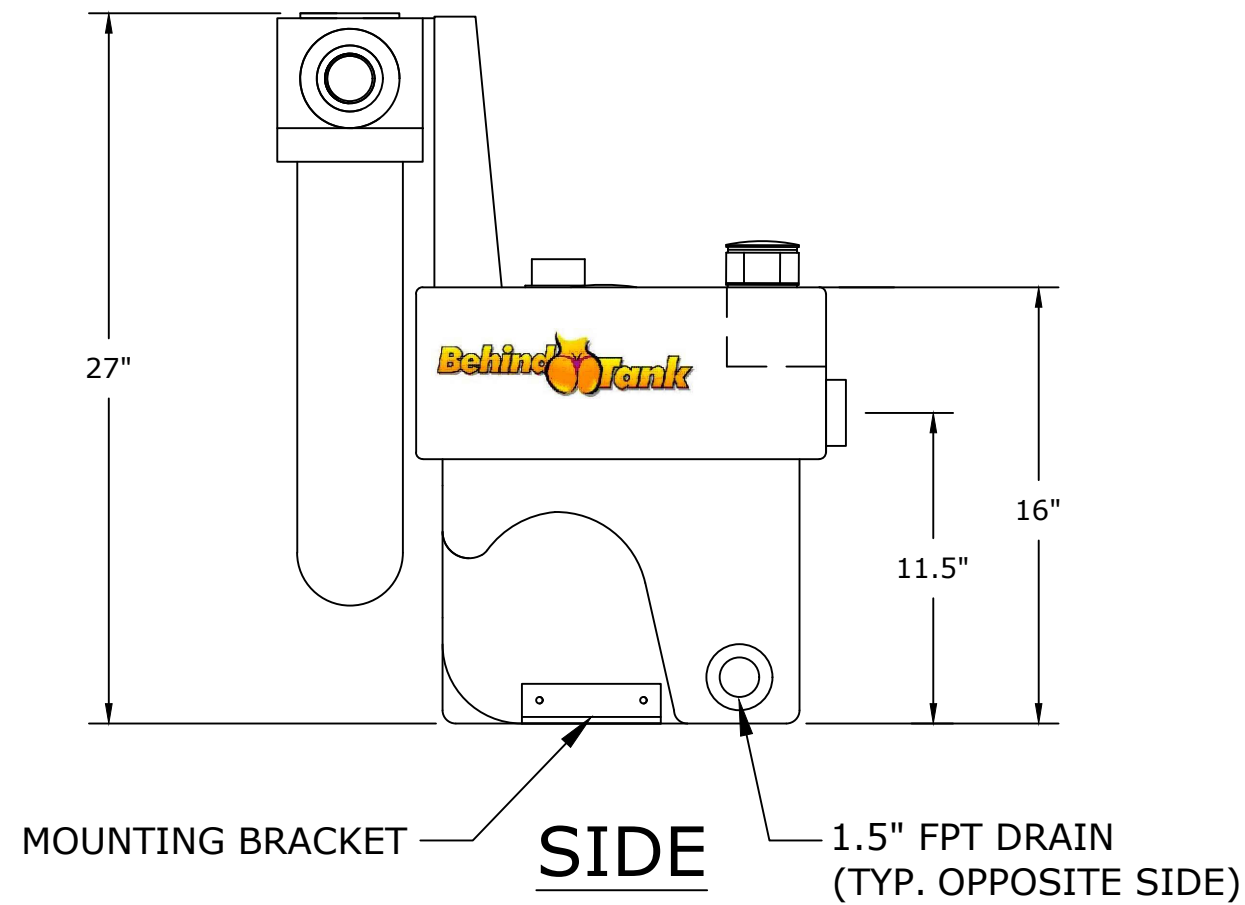
NOTES:

1. VENT PLUMBING NOT INCLUDED. LONG SWEEP ELBOWS MUST BE USED.
2. VENTS ON BOTH SIDES OF THE AHEAD TANK MUST BE PLUMBED TO VENT UP AND OUT, WITHOUT LOOPS OR SAGS.
3. DRAIN PLUMBING NOT INCLUDED. LONG SWEEP ELBOWS MUST BE USED.
4. SANITARY TEES MUST BE USED, WITH THE BRANCH SWEEPING TOWARD DRAIN EXIT.

	
<small>www.aheadtank.com 337.330.4407 Broussard, LA USA 70518</small>	
AT-10STP-D TYP. DRAIN MANIFOLD W/POC & CHEMICAL SOLUTION TANK	
DRAFTED BY: In-house	SCALE: NTS
SUBMITTED DATE: 12-15-25	3 of 5



NOTE:
POC BLUE FILTER
NOT SHOWN THIS VIEW.



NOTES:

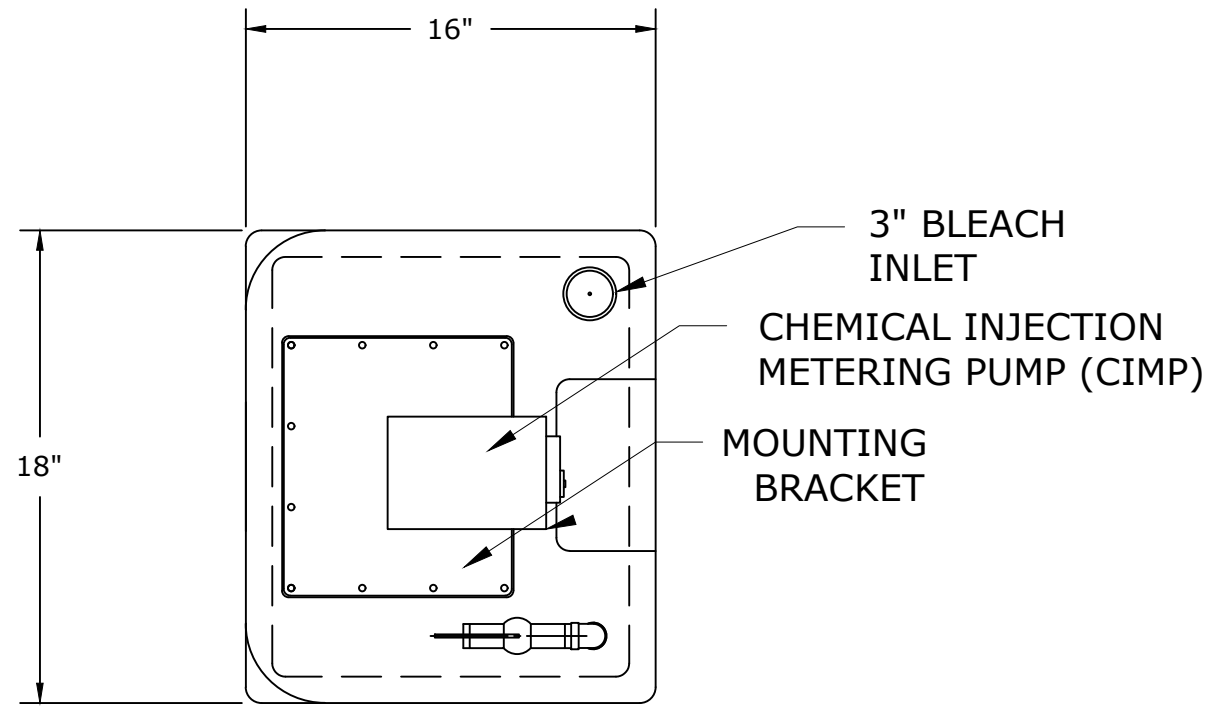
1. PLUMB ONLY ONE DRAIN ON POC MODULE.
2. USE PROVIDED YELLOW THREADED CAPS TO CLOSE OFF UNUSED DRAINS.



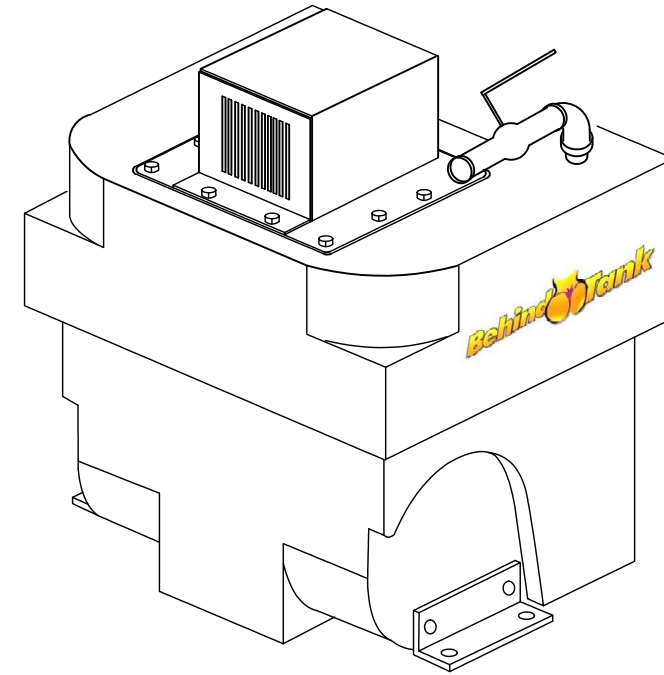
www.aheadtank.com 337.330.4407
Broussard, LA USA 70518

AT-10STP-D
POC FILTRATION MODULE

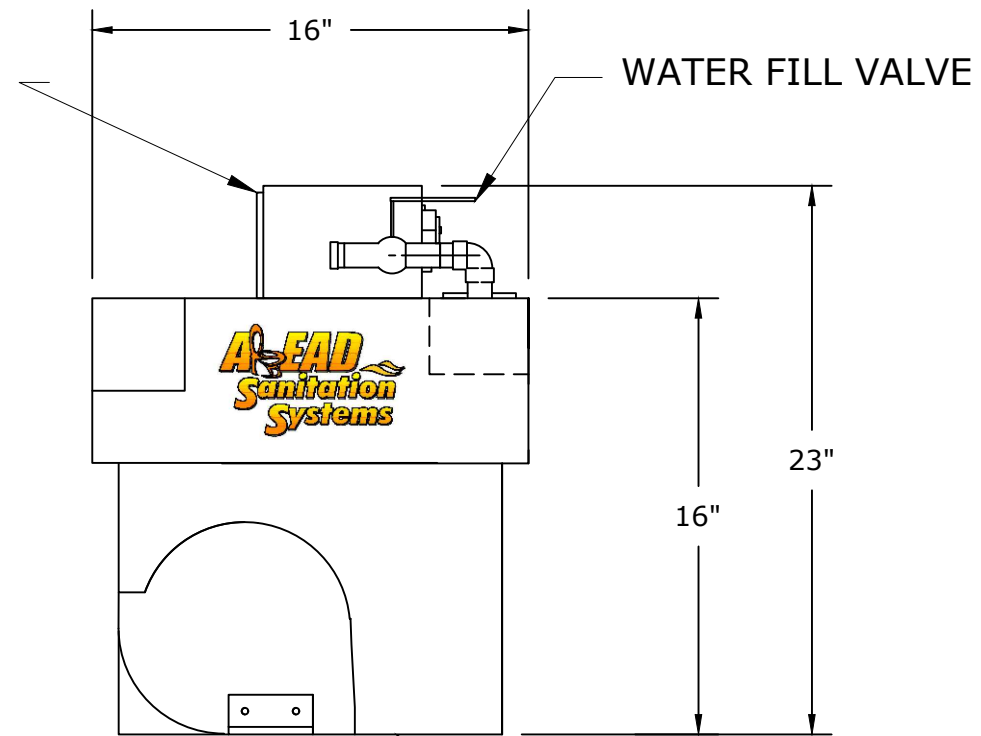
DRAFTED BY: In-house	SCALE: NTS
SUBMITTED DATE: 12-15-25	SHEET NO: 4 of 5
	REV. C



TOP



CHEMICAL INJECTION METERING PUMP (CIMP)



SIDE



www.aheadtank.com 337.330.4407
Broussard, LA USA 70518

AT-10STP-D
FLOOR MOUNT CHEMICAL
SOLUTION STORAGE TANK

DRAFTED BY: In-house	SCALE: NTS
SUBMITTED DATE: 12-15-25	SHEET NO: 5 of 5
	REV. C