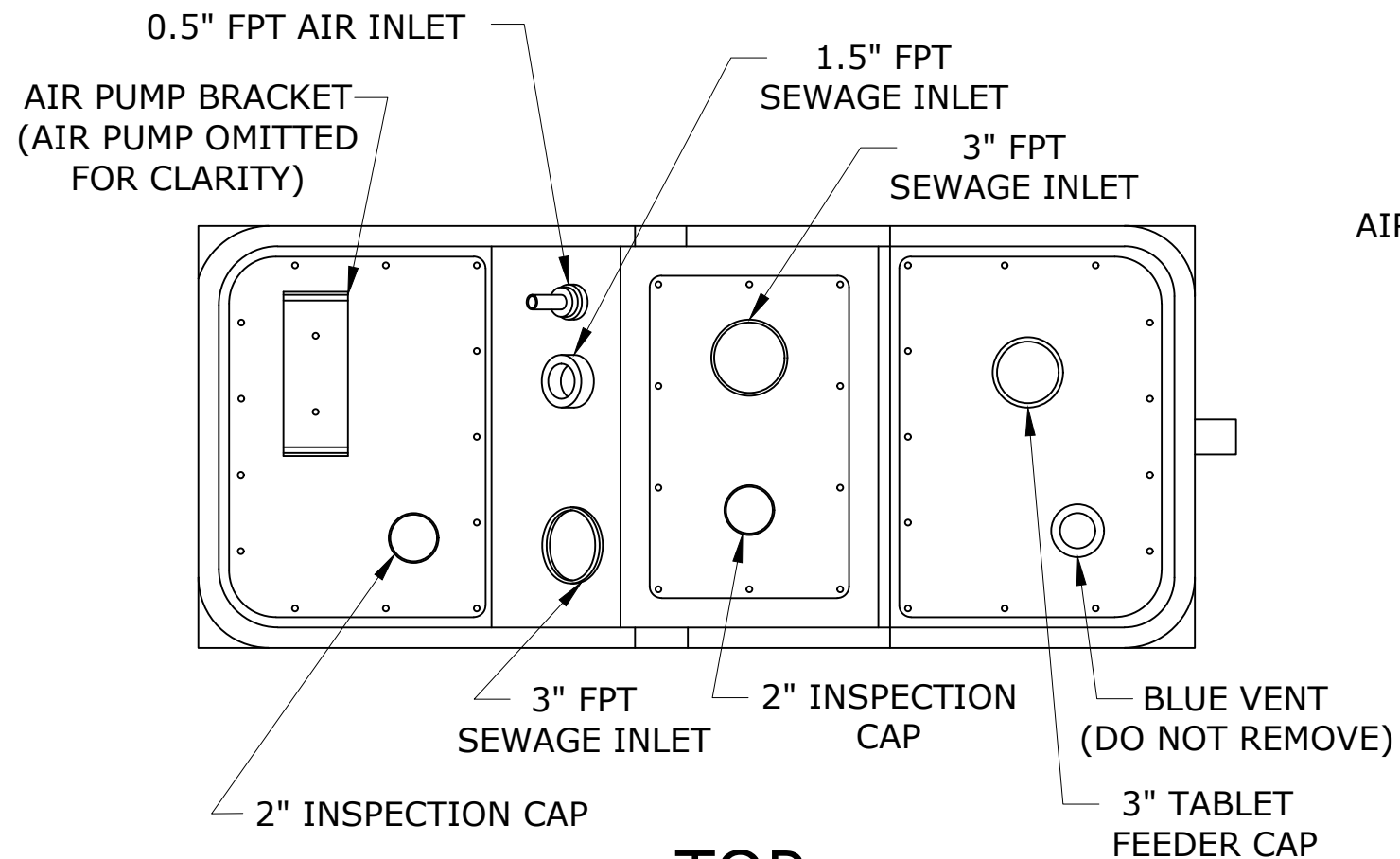


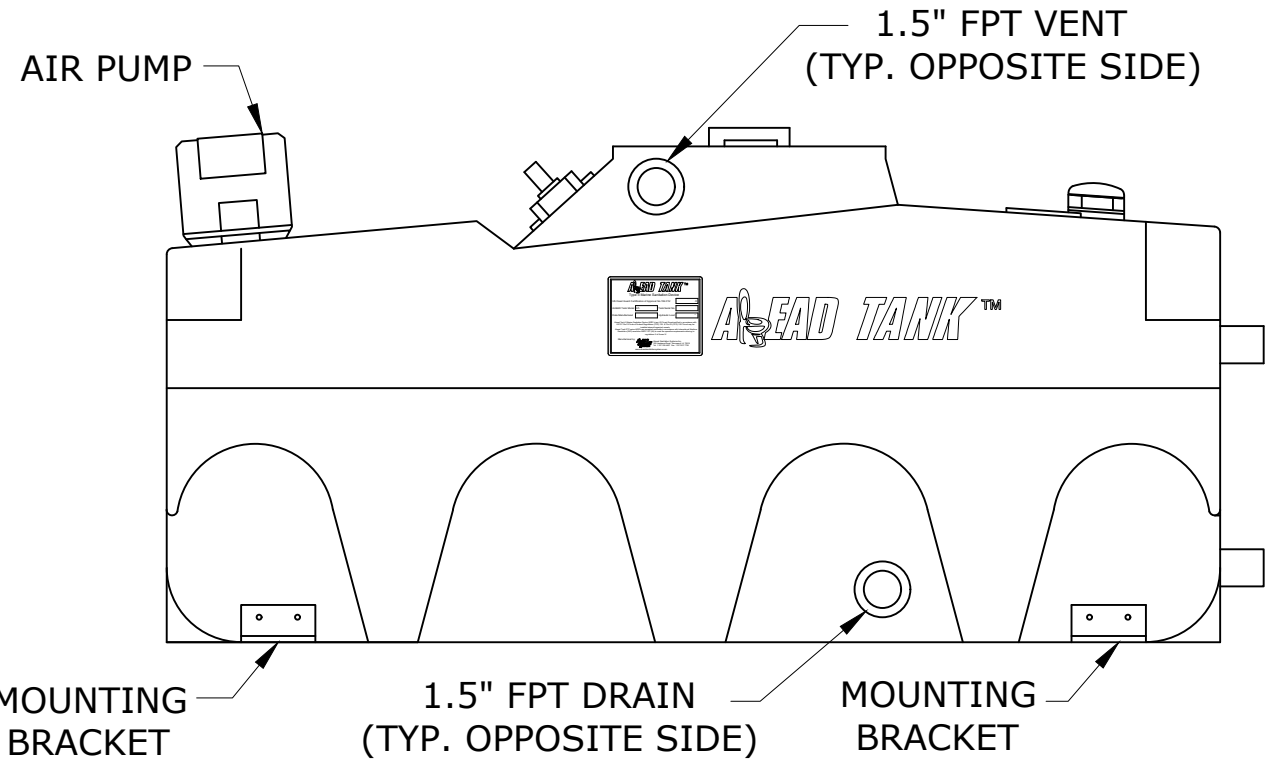
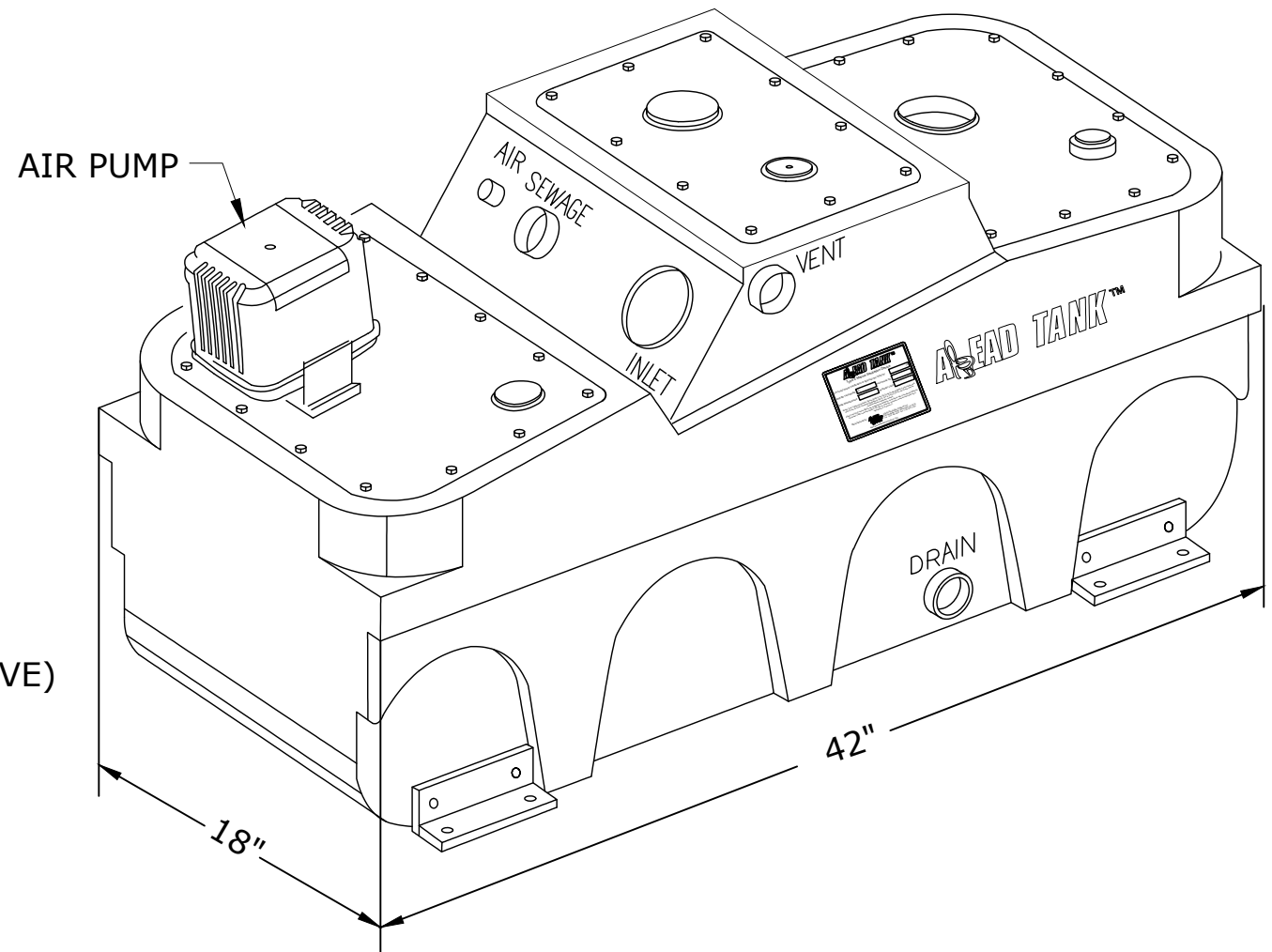
www.aheadtank.com 337.330.4407
Broussard, LA USA 70518

AT-10STP
PERSPECTIVES

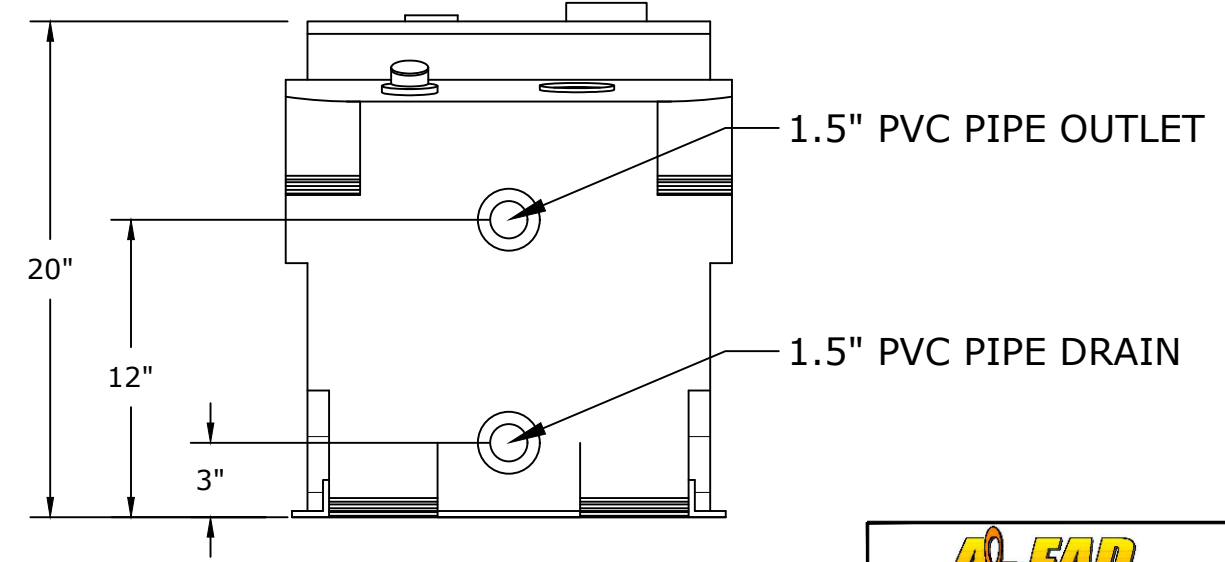
DRAFTED BY: In-house	SCALE: NTS
SUBMITTED DATE: 12-15-25	SHEET NO: 1 of 4
	REV. C



TOP



SIDE



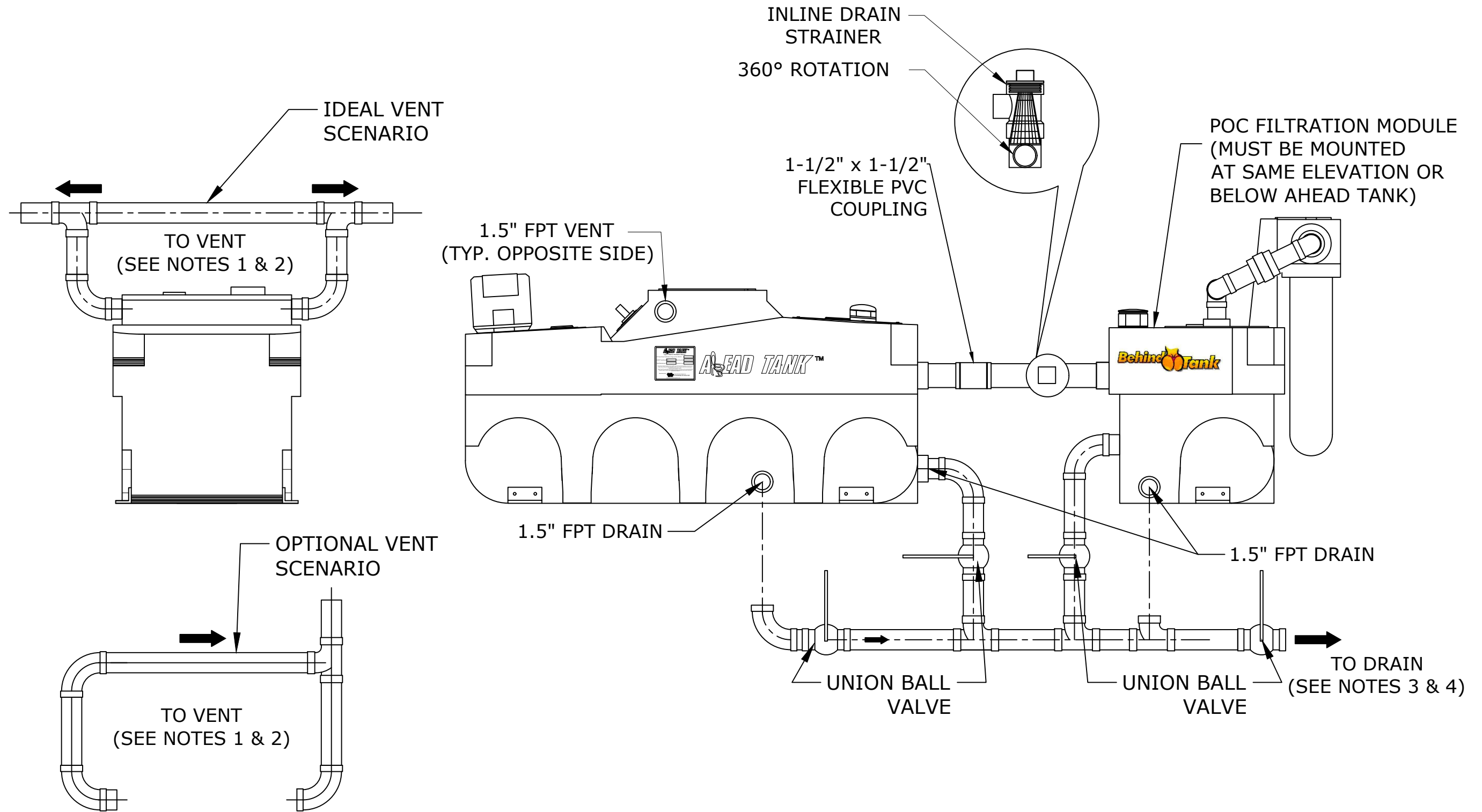
BACK



www.aheadtank.com 337.330.4407
Broussard, LA USA 70518

AT-10STP
PLAN & ELEVATION VIEWS

DRAFTED BY: In-house	SCALE: NTS
SUBMITTED DATE: 12-15-25	SHEET NO: 2 of 4
	REV. C



NOTES:

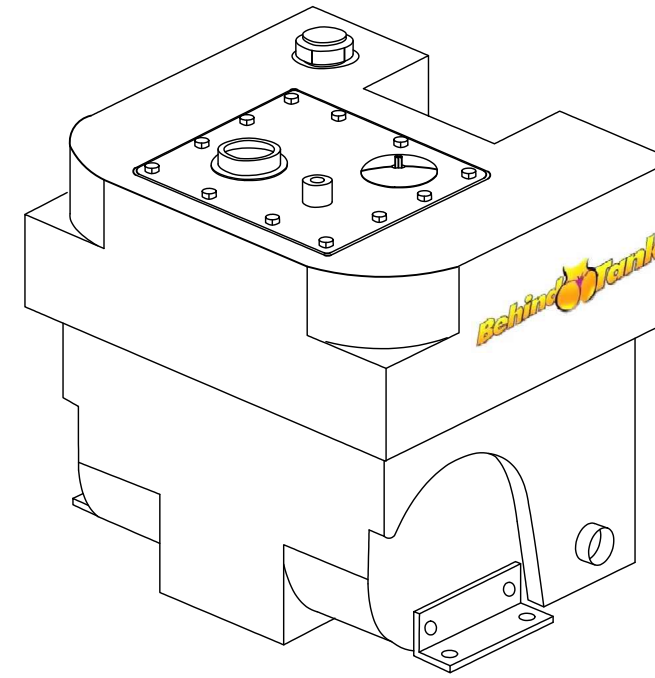
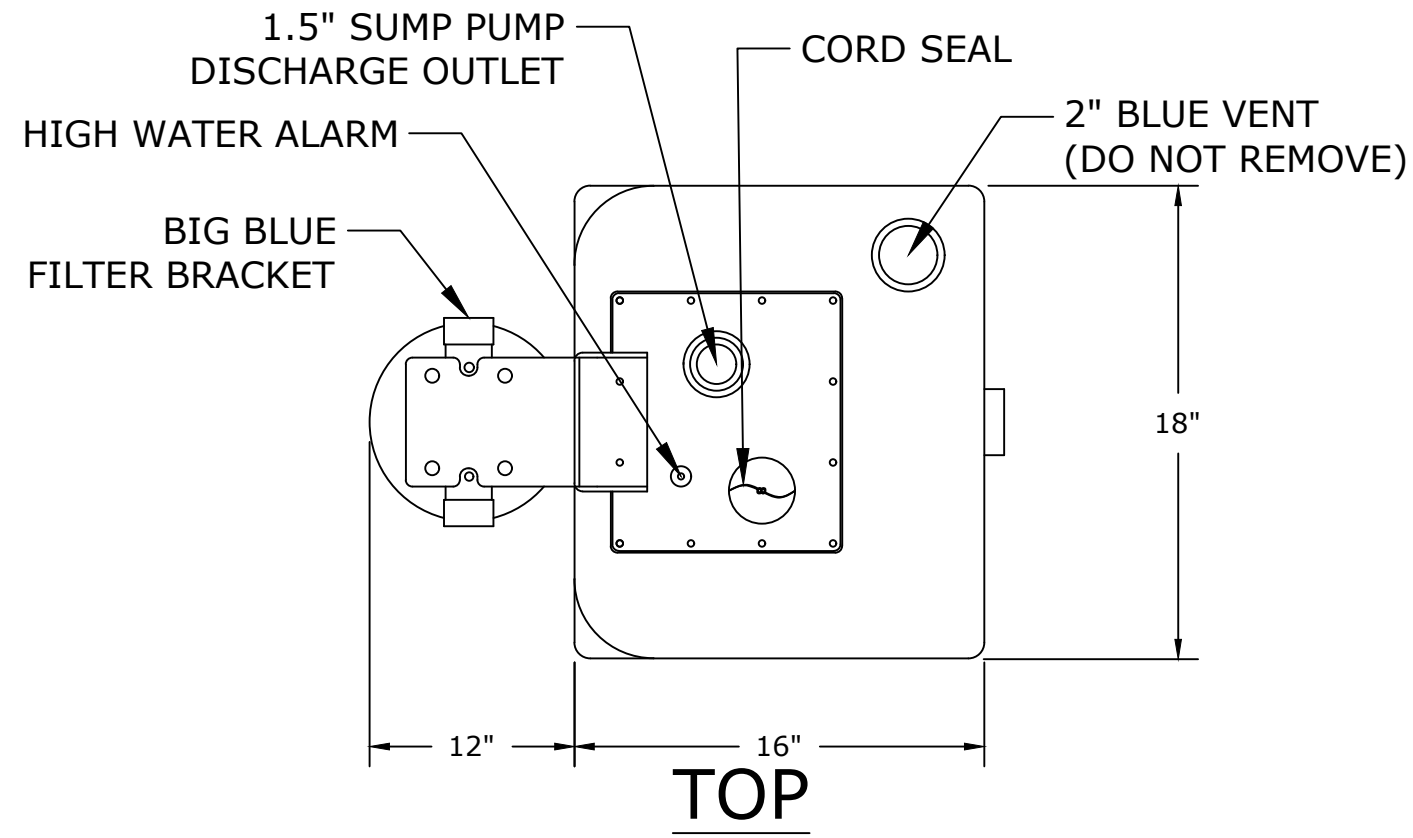
1. VENT PLUMBING NOT INCLUDED. LONG SWEEP ELBOWS MUST BE USED.
2. VENTS ON BOTH SIDES OF THE AHEAD TANK MUST BE PLUMBED TO VENT UP AND OUT, WITHOUT LOOPS OR SAGS.
3. DRAIN PLUMBING NOT INCLUDED. LONG SWEEP ELBOWS MUST BE USED.
4. SANITARY TEES MUST BE USED, WITH THE BRANCH SWEEPING TOWARD DRAIN EXIT.



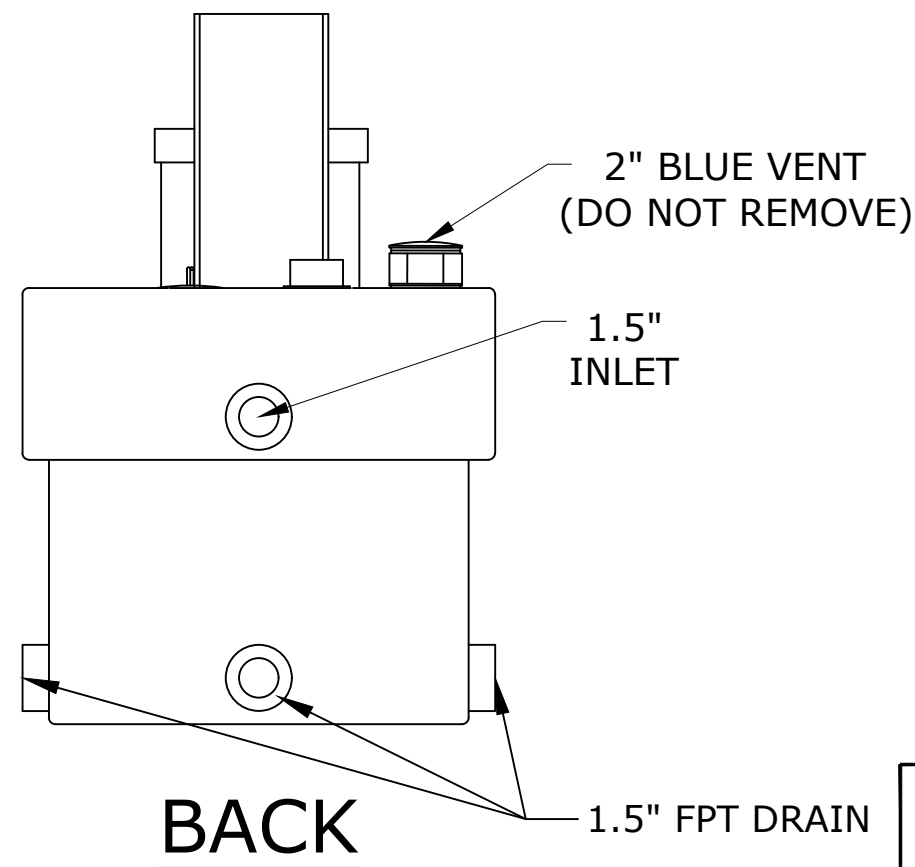
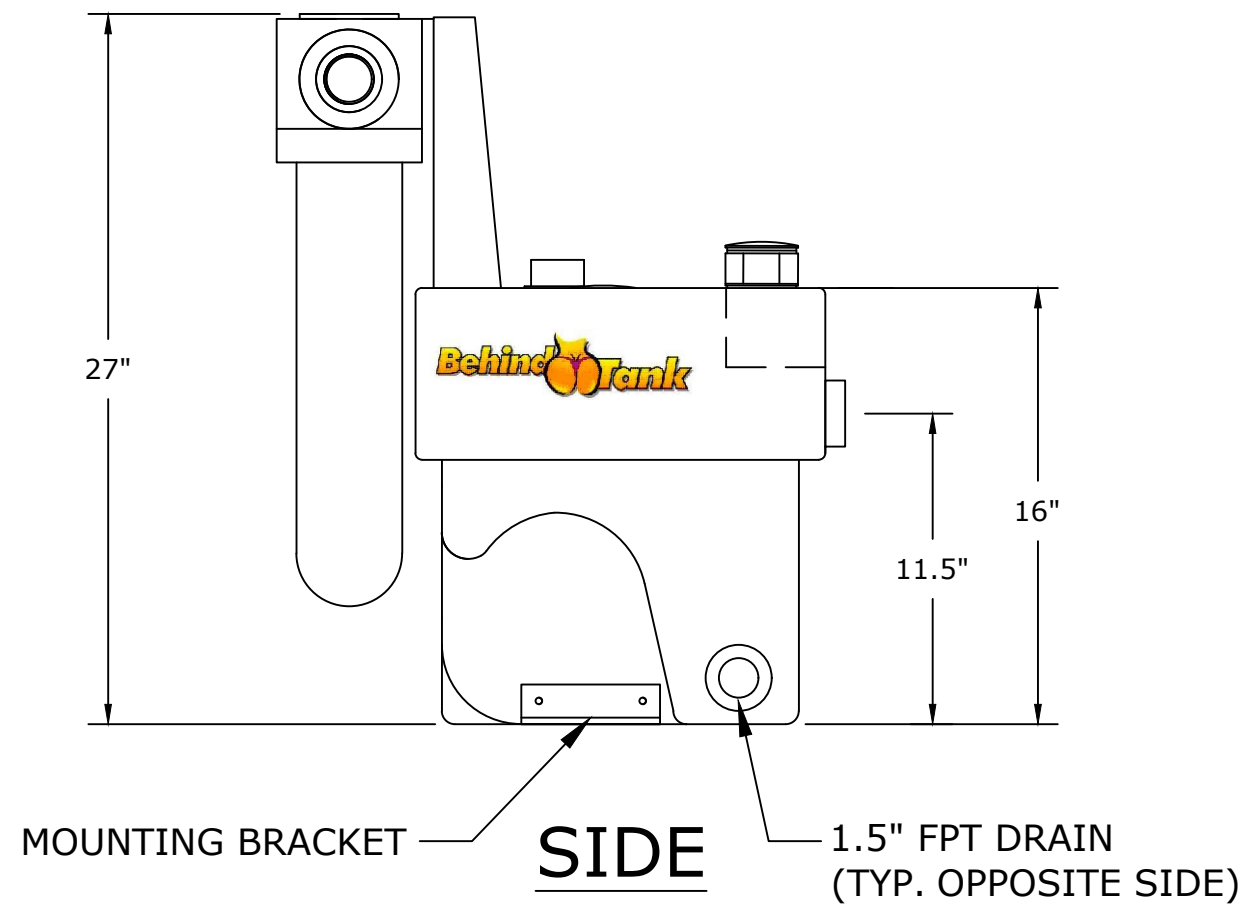
www.aheadtank.com 337.330.4407
Broussard, LA USA 70518

AT-10STP
TYP. DRAIN MANIFOLD W/POC

DRAFTED BY: In-house	SCALE: NTS
SUBMITTED DATE: 12-15-25	SHEET NO: 3 of 4
	REV. C



NOTE:
POC BLUE FILTER
NOT SHOWN THIS VIEW.



NOTES:

1. PLUMB ONLY ONE DRAIN ON POC MODULE.
2. USE PROVIDED YELLOW THREADED CAPS TO CLOSE OFF UNUSED DRAINS.



www.aheadtank.com 337.330.4407
Broussard, LA USA 70518

AT-10STP
POC FILTRATION MODULE

DRAFTED BY: In-house	SCALE: NTS
SUBMITTED DATE: 12-15-25	SHEET NO: 4 of 4
	REV. C