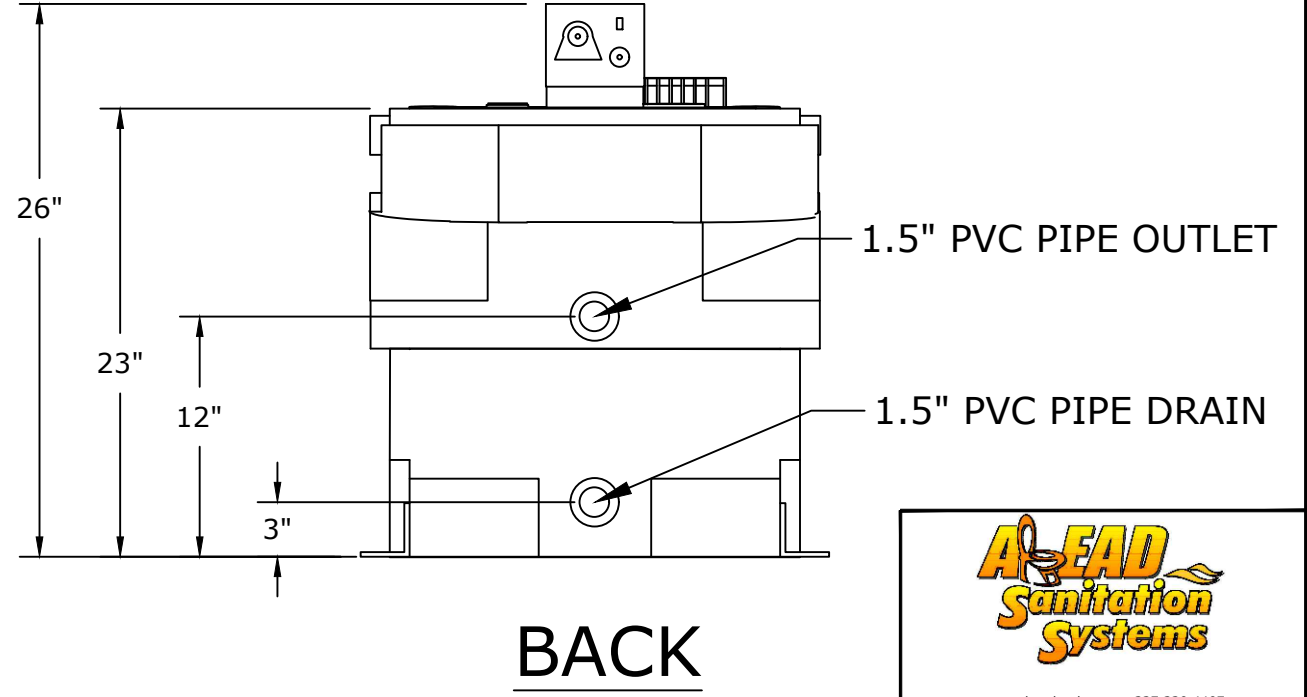
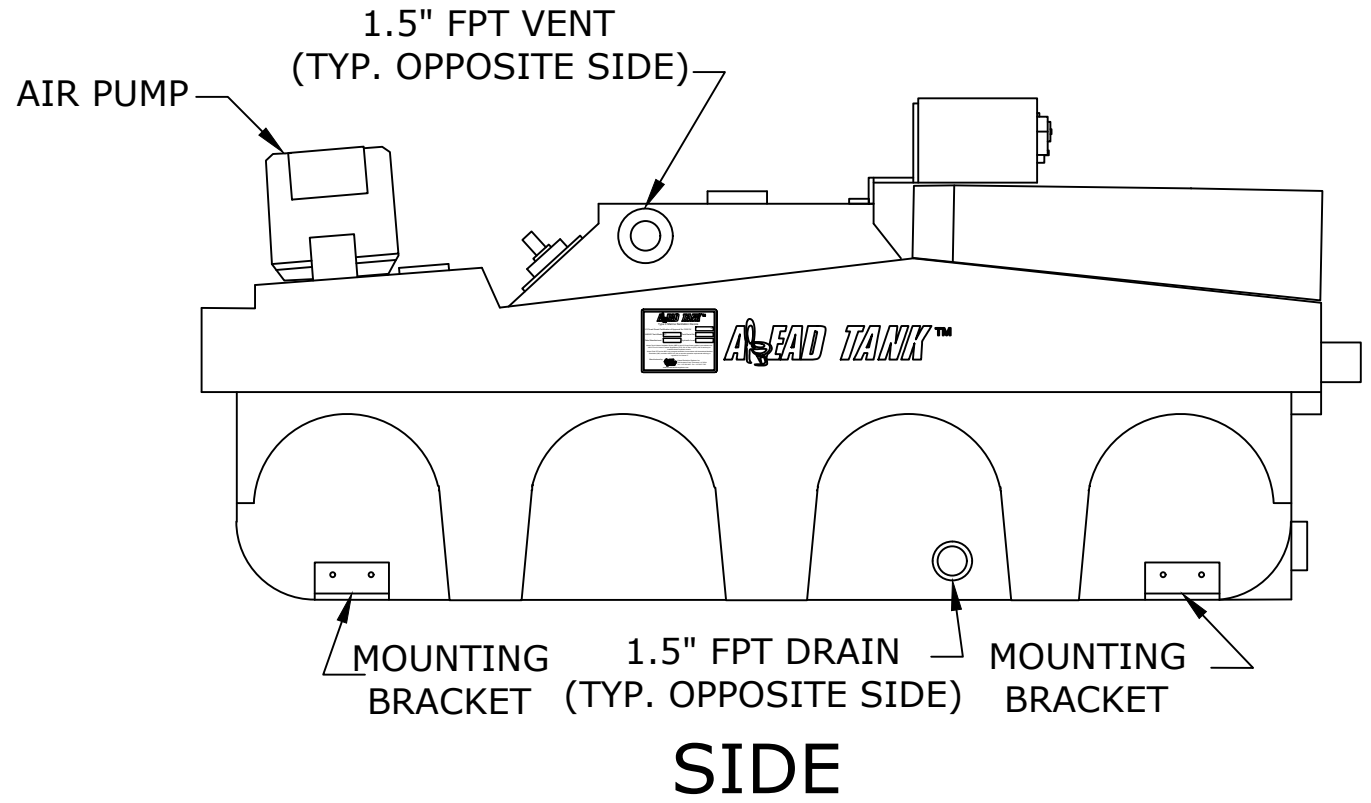
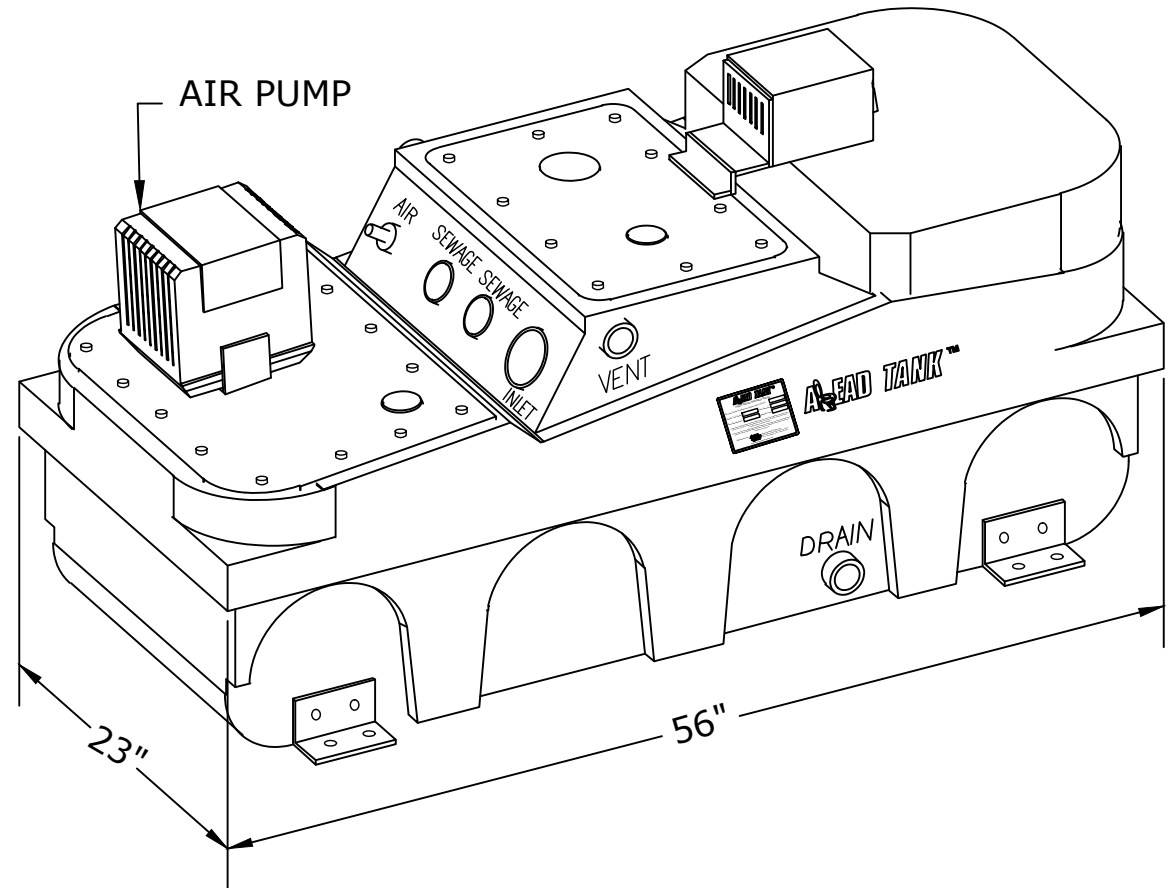
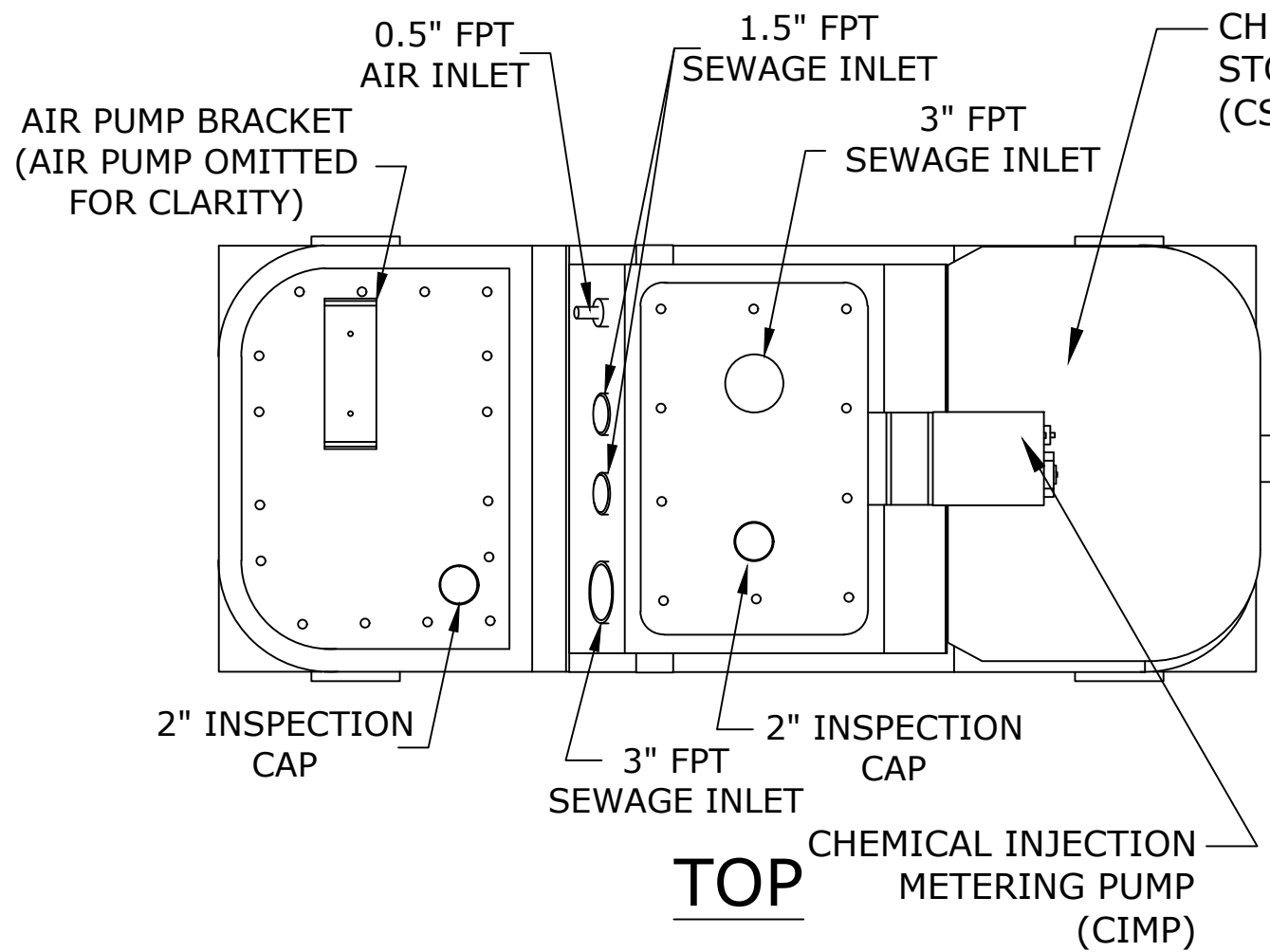


www.aheadtank.com 337.330.4407
Broussard, LA USA 70518

AT-16D
PERSPECTIVES

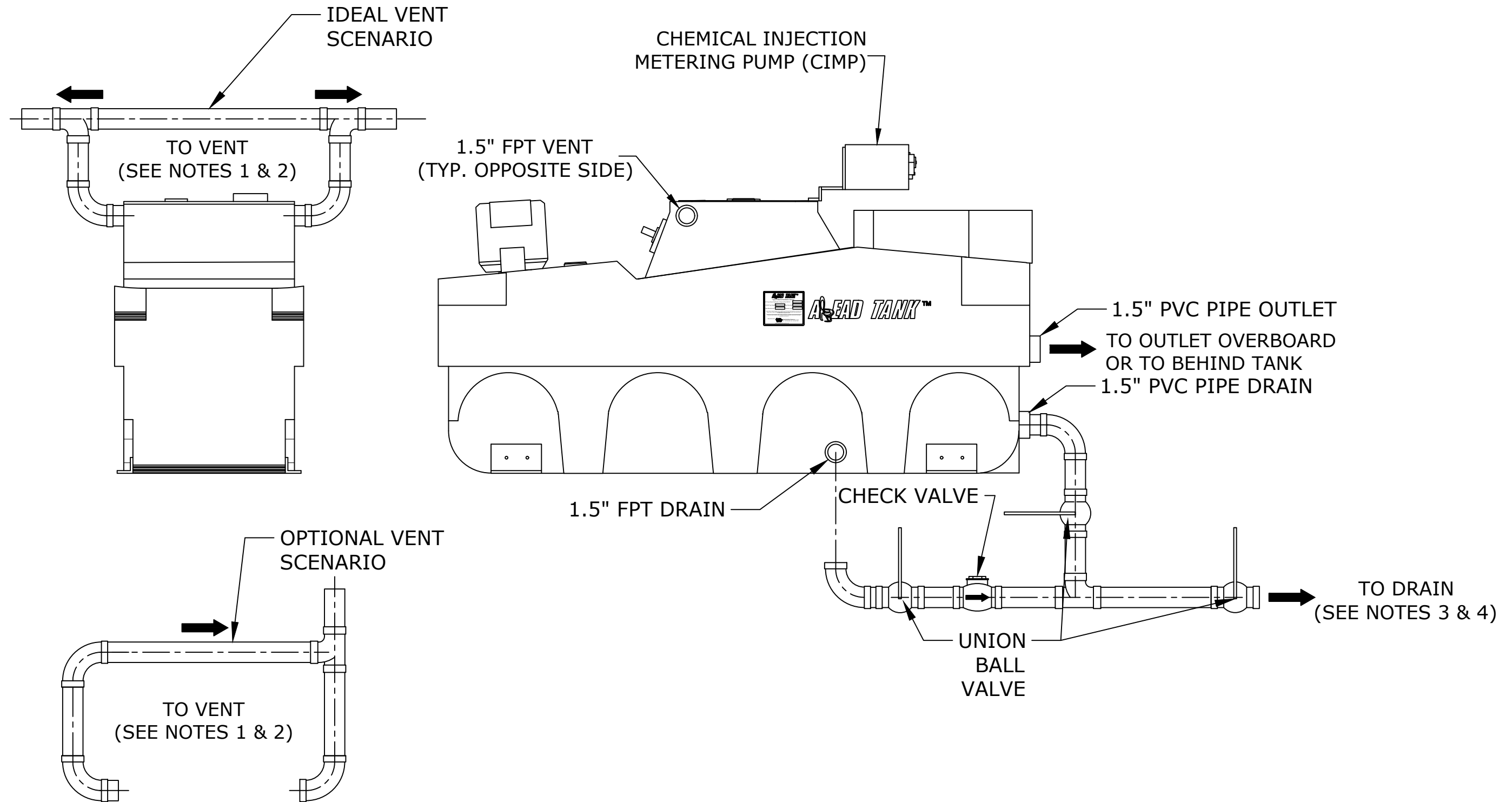
DRAFTED BY: In-house		SCALE: NTS
SUBMITTED DATE: 12-15-25	SHEET NO: 1 of 5	REV. C



www.aheadtank.com 337.330.4407
Broussard, LA USA 70518

AT-16D
PLAN & ELEVATION VIEWS

DRAFTED BY: In-house	SCALE: NTS
SUBMITTED DATE: 12-15-25	SHEET NO: 2 of 5
	REV. C



NOTES:

1. VENT PLUMBING NOT INCLUDED. LONG SWEEP ELBOWS MUST BE USED.
2. VENTS ON BOTH SIDES OF THE AHEAD TANK MUST BE PLUMBED TO VENT UP AND OUT, WITHOUT LOOPS OR SAGS.
3. DRAIN PLUMBING NOT INCLUDED. LONG SWEEP ELBOWS MUST BE USED.
4. SANITARY TEES MUST BE USED, WITH THE BRANCH SWEEPING TOWARD DRAIN EXIT.



www.aheadtank.com 337.330.4407
Broussard, LA USA 70518

AT-16D

TYP DRAIN MANIFOLD

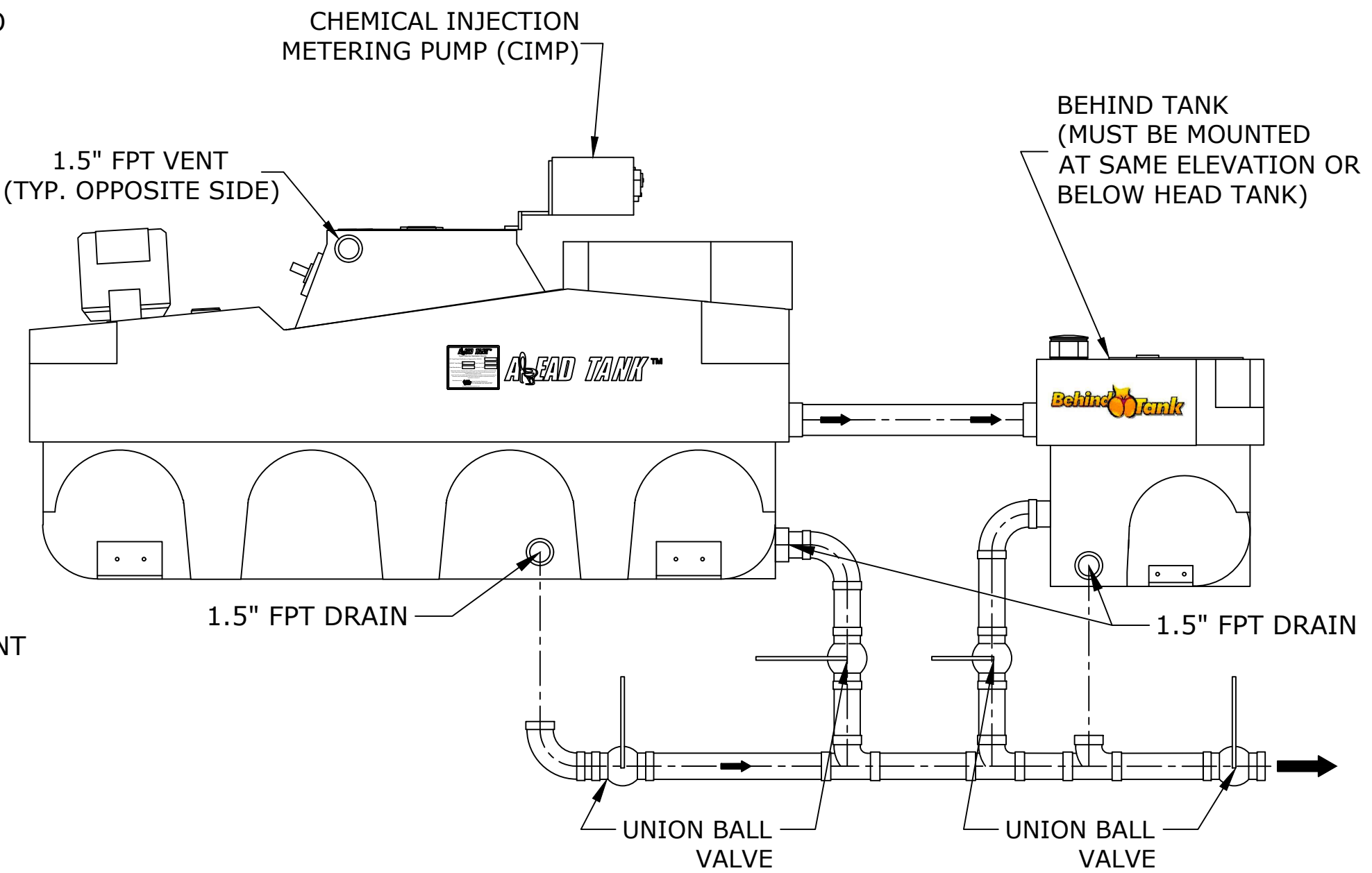
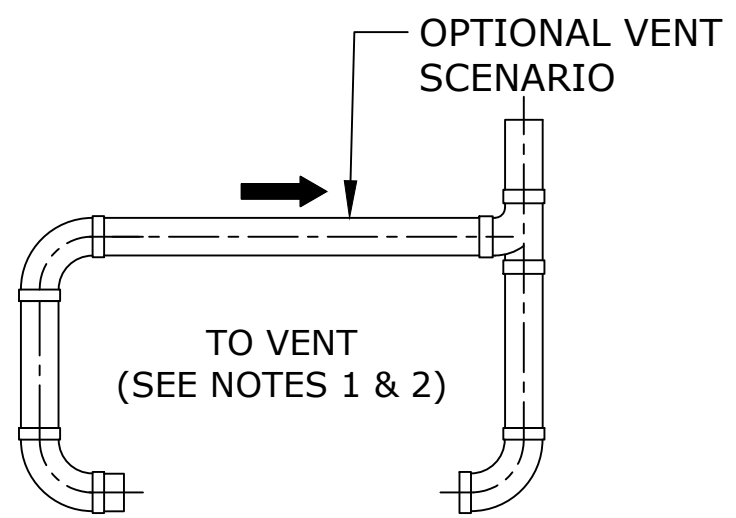
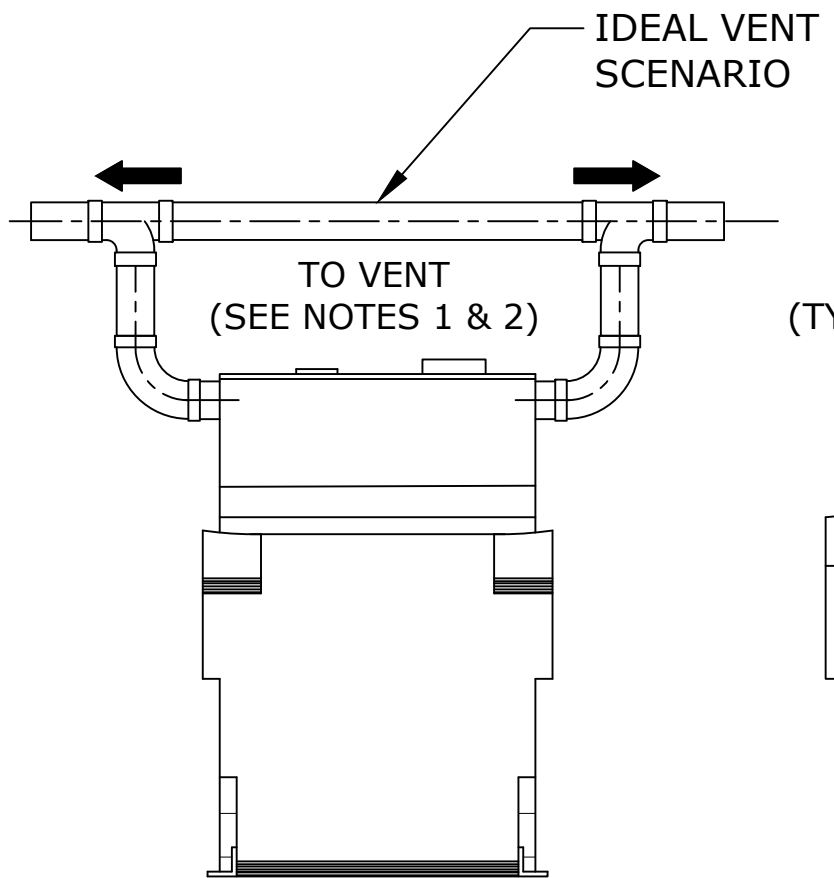
DRAFTED BY: In-house

SCALE:
NTS

SUBMITTED DATE:
12-15-25


SHEET NO:
3 of 5

REV. C



NOTES:

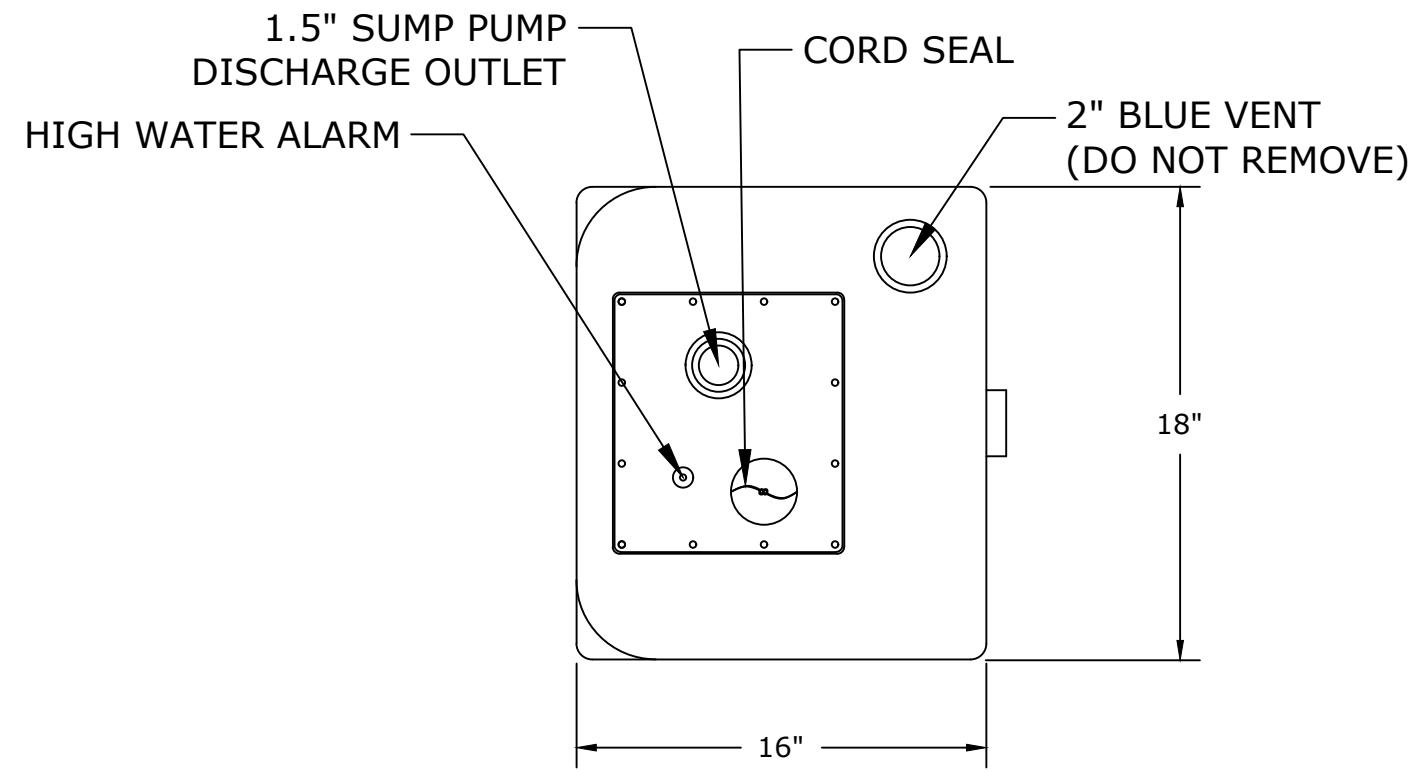
1. VENT PLUMBING NOT INCLUDED. LONG SWEEP ELBOWS MUST BE USED.
2. VENTS ON BOTH SIDES OF THE AHEAD TANK MUST BE PLUMBED TO VENT UP AND OUT, WITHOUT LOOPS OR SAGS.
3. DRAIN PLUMBING NOT INCLUDED. LONG SWEEP ELBOWS MUST BE USED.
4. SANITARY TEES MUST BE USED, WITH THE BRANCH SWEEPING TOWARD DRAIN EXIT.



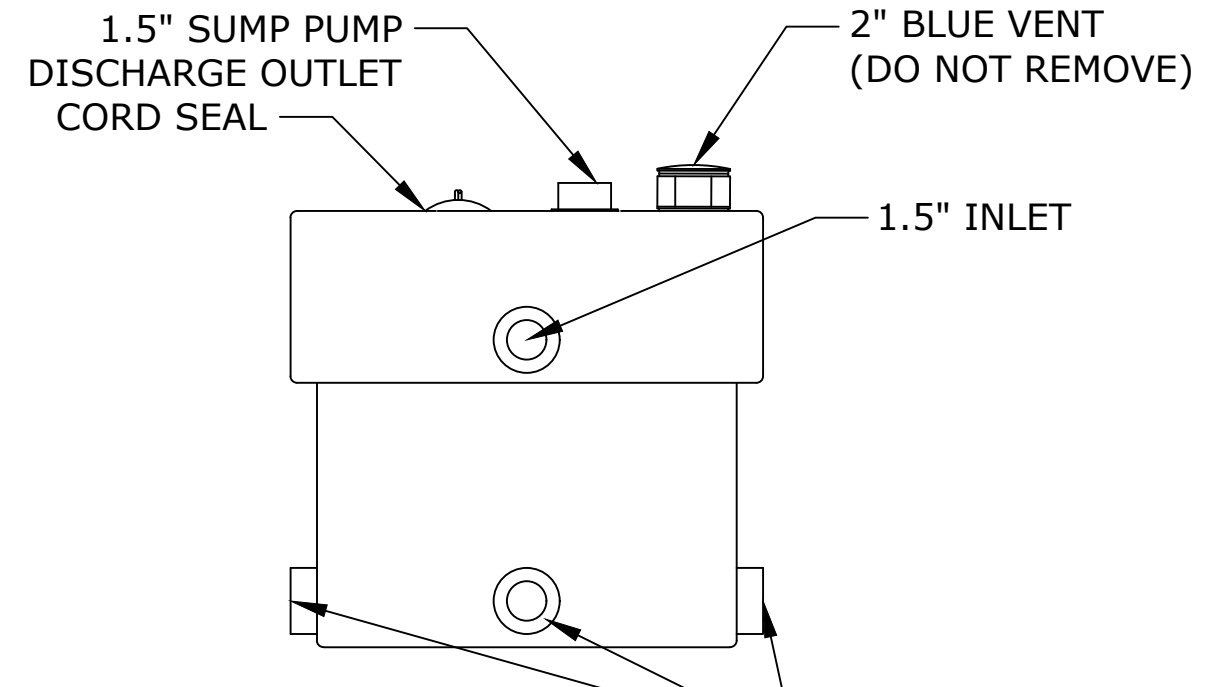
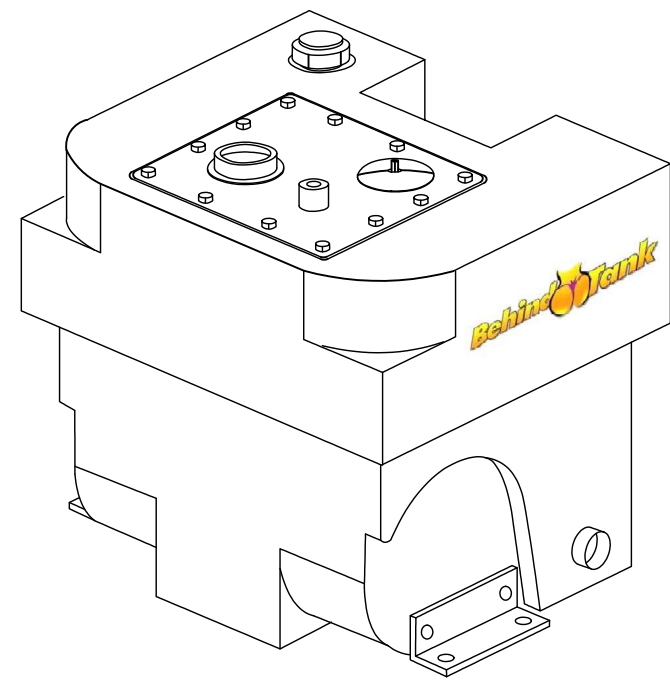
www.aheadtank.com 337.330.4407
Broussard, LA USA 70518

AT-16D
TYP DRAIN MANIFOLD W/
BEHIND TANK

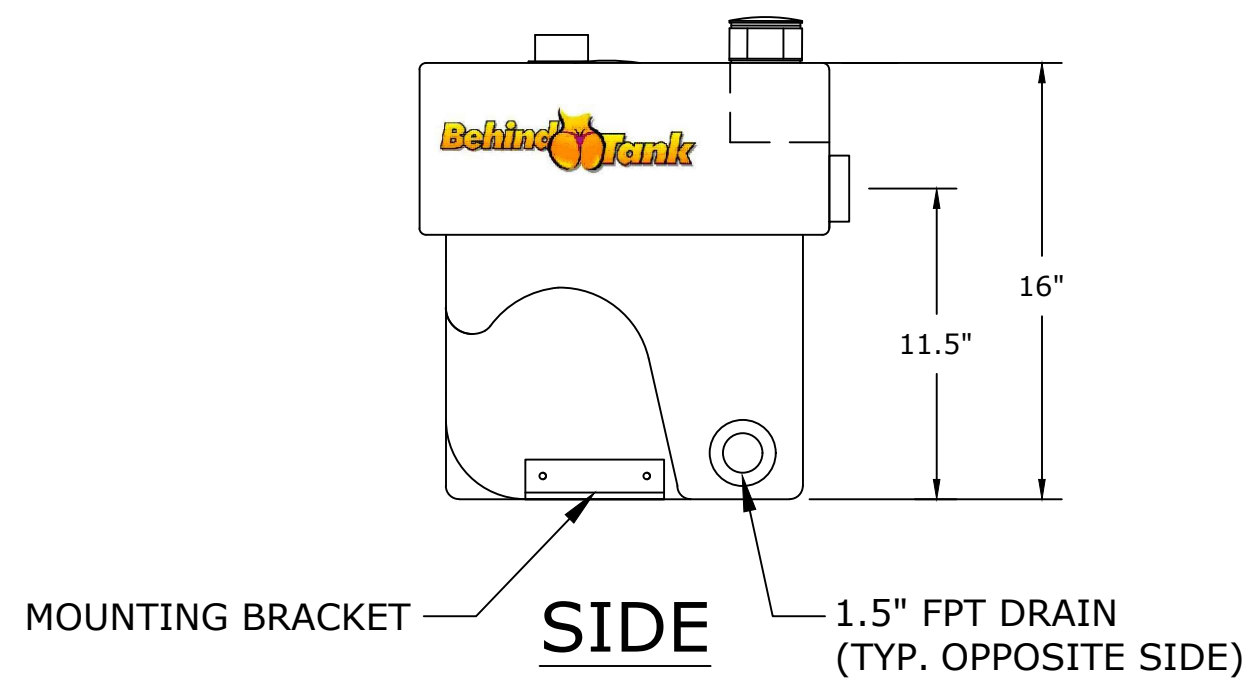
DRAFTED BY: In-house	SCALE: NTS
SUBMITTED DATE: 12-15-25	SHEET NO: 4 of 5
REV. C	



TOP



BACK



SIDE

NOTES:

1. PLUMB ONLY ONE DRAIN ON BEHIND TANK.
2. USE PROVIDED YELLOW THREADED CAPS TO CLOSE OFF UNUSED DRAINS.



www.aheadtank.com 337.330.4407
Broussard, LA USA 70518

AT-16D
BEHIND TANK

DRAFTED BY: In-house

SCALE:
NTS

SUBMITTED DATE:
12-15-25

SHEET NO:
5 of 5

REV. C